

**SINGER**  
**61W91,W92**

# LIST OF PARTS



## MACHINES Nos. 61w91 and 61w92

THE SINGER MANUFACTURING COMPANY

### INDEX

	PAGE
ACCESSORIES .....	23
BENDER AND FOLDER .....	24
BOBBIN WINDER .....	25
KNEE LIFTER .....	26
KNIFE GRINDER .....	28
MACHINE No. 61w91 .....	16
"    "    61w92 .....	16
NUMERICAL LIST OF PARTS .....	3
RIBBON REEL .....	27
THROAT PLATES .....	29

From the library of: Diamond Needle Corp

# Instructions for Ordering

In ordering from this list, use **ONLY** the **PART** number in the **FIRST** column.

The number stamped on a Sewing Machine Part is the number of the Single Part only, except when the part includes Set Screws, Clamping Screws, Studs and Rollers Spun on, Small Wires riveted, or Parts soldered together, etc., which it is necessary to furnish in combination.

Every combination of parts sent out has its specific number which, although not stamped on Parts (except in above cases) must be used when ordering the combination.

Each number always indicates the **SAME PART** in whatever list it appears, or for whatever Machine.

The letters after some of the numbers indicate the style of finish only, as follows:

- A. Hardened, Polished and Plated.
- B. Polished and Plated.
- C. Hardened only.
- D. Polished only.
- E. Soft, not polished.
- F. Hardened and Polished.
- H. Blued.

These letters **MUST BE USED** when they appear in the list and **AFTER** the number, as in the list.

In this series

- 200001 to 201500 are Screw Numbers.
- 201501 to 201800 are Nut Numbers.
- 201801 to 202000 are Roller Numbers.
- 202001 and upwards are Numbers of Machine Parts.

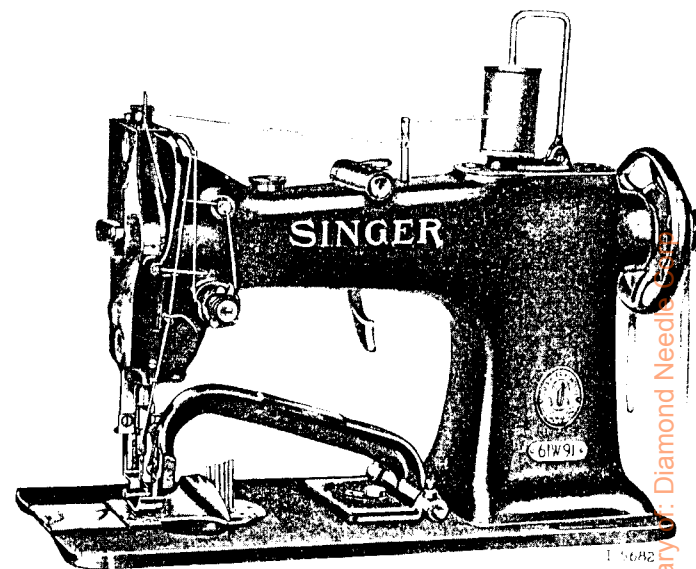
The figures in the second column refer only to the plate in which the illustration of the part is shown and are **NOT TO BE USED** in ordering.

Two or more numbers over a cut indicate that the difference between such parts is not visible in an illustration.

Parts marked with an asterisk (\*) are furnished only when repairs are made at the factory.

## LIST OF PARTS COMPLETE

FOR



### MACHINE No. 61w91

**VERTICAL SEAM TRIMMER AND BINDER**  
 For Trimming and Binding Light and Medium Fabrics at one operation, using Folded Binding. For Ladies' Waists, Dresses, Muslin Underwear, Wrappers, etc. Also for Binding and Setting in Sleeves. Knife on Hinged Arm Can Be Thrown In or Out of Action.

No.	Plate	Name
*207089	---	Arm .....
207073	10968	" Bushing Hole Plug .....
200352c	10244	" " " " Set Screw .....
203091	13385	" Cap .....
200278H	10244	" " Screw .....
202248	10244	" " " Washer .....
203089	10947	" " Spool Holder Base .....
203090	10947	" " " " " 203089 with 200079H and 204296 .....

From the library: Diamond Needle

No.	Plate	Name
200585h	10373	Arm Cap Spool Holder Base Screw
204296	10947	" " " " Wire
200079h	13384	" " " " Hinge Screw
203092	---	Arm Cap and Spool Holder complete, Nos. 203090, 203091 and two 200585h
204235	13375	Arm Position Pin
200019c	13384	" Screw (3)
202005	13384	" Washer (3)
206923	13385	" Shaft with 200357e and 203100
202243	10947	" Bushing (back) with 202214
202244	---	Arm Shaft Bushing (back) Oil Packing (wick)
200338c	10244	Arm Shaft Bushing (back) Set Screw
207080	13385	Arm Shaft Bushing (front) with 202244
202244	---	Arm Shaft Bushing (front) Oil Packing (wick)
209502b	10246	Arm Shaft Bushing (front) Oil Packing Thumb Screw
200338c	10244	Arm Shaft Bushing (front) Set Screw
202530	13385	Arm Shaft Connection Belt
202252	10244	" " " " Pulley with 200327c, 209602c and two 202253
200602c	10244	Arm Shaft Connection Belt Pulley Position Screw
200327c	10244	Arm Shaft Connection Belt Pulley Set Screw
202253	10244	Arm Shaft Connection Belt Pulley Spring Flange
203100	---	Arm Shaft Oil Packing (wick)
200357e	10244	" " " " Stop Screw
202255	10948	Balance Wheel (belt groove 2 1/2 in. diam.) with 200328c and 200335c
200328c	10244	Balance Wheel Position Screw
200335c	10244	" " " " Set Screw
*207088	---	Bed
207083	13385	" Slide (front)
206925	10947	Binder Base Plate with five 229000
206928	10947	" " " " 206925 with 201498b, 206927, 230251 and two 200155e

No.	Plate	Name
200577h	13384	Binder Base Plate Screw (2)
206927	10947	" Guard
201498b	13384	" " Screw
225647	10951	" Head, made for tapes or folded strips from 1/4 to 3/4 in. in steps of 1/8 inch
200155e	10949	Binder Head Screw
230251	10951	" " " Washer
229000	13384	" Tape Tension Pin
202265	13384	Bobbin
*202806	---	" Case
202267	13384	" " Latch
*202056	---	" " " Pin
202269	13384	" " " Plunger
202270	13384	" " " Spring
202716	13384	" " Tension Spring
200984c	13384	" " " " Regulating Screw
200594c	13384	Robbin Case Tension Spring Screw
202533	13384	Robbin Case complete, Nos. 200594c, 200984c, 202056, 202267, 202269, 202270, 202716 and 202806
206951	10947	Face Plate
206929	13384	Feed Bar with 206970
203641c	10246	" " Hinge Screw (driving)
201522e	10246	" " " " Nut
202756	13384	" " Lifting Connection Link
206932	13384	" " " " " "
		Bushing
206970	13384	Feed Bar Lifting Connection Link Bushing (for Feed Bar)
200182e	10949	Feed Bar Lifting Connection Link Stop Screw
206930	10951	Feed Dog
200106l	13384	" " Screw (2)
202297	10948	" Driving Connection with 200054e and 202277
202298	13384	Feed Driving Connection Crank with 200038c
200038c	13384	Feed Driving Connection Crank Pinch Screw
200545c	13384	Feed Driving Connection Hinge Screw
201548e	13384	Feed Driving Connection Hinge Screw Nut
202277	---	Feed Driving Connection Oil Pack- ing (wick)
200054e	10246	Feed Driving Connection Pinch Screw

No.	Plate	Name
202300	10246	Feed Driving Eccentric Regulating Bracket .....
203134	—	Feed Driving Eccentric Regulating Bracket 202300 with 202252, two each 201014c and 201525E .....
201014c	13384	Feed Driving Eccentric Regulating Bracket Hinge Screw .....
201525E	13384	Feed Driving Eccentric Regulating Bracket Hinge Screw Nut .....
202301	10246	Feed Driving Eccentric Regulating Bracket Plunger .....
202595	10246	Feed Driving Eccentric Regulating Bracket Plunger Spring .....
200607c	10246	Feed Driving Eccentric Regulating Bracket Plunger Spring Stop Screw .....
201014c	13384	Feed Driving Eccentric Regulating Bracket Stop Screw .....
201525E	13384	Feed Driving Eccentric Regulating Bracket Stop Screw Nut .....
200429c	10246	Feed Driving Eccentric Regulating Screw .....
200383c	10246	Feed Driving Eccentric Regulating Screw Check Screw .....
202303	10948	Feed Driving Rock Shaft .....
206931	—	" " " " 202303 with 200182E, 200641c, 201522E, 202756 and 206929 .....
202305	13384	Feed Driving Rock Shaft Center (2) .....
200043c	10246	" " " " " Set Screw (2) .....
202306	10948	Feed Lifting Connection with 200054E and 202277 .....
*206948	—	Feed Lifting Connection Crank .....
206952	13384	" " " " " 206948 with 200038c and 200378c .....
200038c	13384	Feed Lifting Connection Crank Pinch Screw .....
200378c	13386	Feed Lifting Connection Crank Set Screw .....
202307	10246	Feed Lifting Connection Eccentric with 200382c and 200437c .....
200437c	10246	Feed Lifting Connection Eccentric Position Screw .....
200382c	10373	Feed Lifting Connection Eccentric Set Screw .....
200545c	13384	Feed Lifting Connection Hinge Screw .....
201518E	13384	Feed Lifting Connection Hinge Screw Nut .....

No.	Plate	Name
202277	—	Feed Lifting Connection Oil Packing (wick) .....
200054E	10246	Feed Lifting Connection Pinch Screw .....
206933	13385	Feed Lifting Rock Shaft (hollow) and Hook Shaft Bearing with 206932 .....
202625	10949	Feed Lifting Rock Shaft Stop Collar with two 200383c .....
200383c	10246	Feed Lifting Rock Shaft Stop Collar Set Screw .....
202310	13385	Feed Regulating Spindle with 202311, 202443 and 202619 .....
*202311	—	Feed Regulating Spindle Head .....
202443	10244	" " " " Pin .....
202619	13375	" " " " Position Pin .....
*244010	—	Hook (sewing) .....
244011	13387	" 244010 with 200145c, 200596E, 200614c, 202320, 203101, 206775, 206852 and 244014 .....
244012	—	Hook and Bobbin Case complete, Nos. 202533 and 244011 .....
244013	13375	Hook Counter Balance with 200444c .....
200444c	13375	" " " Position Screw .....
206852	13375	" Gib .....
200614c	13386	" " Hinge Screw .....
200596E	13386	" " Screw .....
203101	—	" Oil Wick .....
*202320	—	" Shaft, 11 $\frac{1}{16}$ in. long .....
202323	10244	" " Connection Belt Pulley with 202324 and two 201018c .....
201018c	13375	Hook Shaft Connection Belt Pulley Set Screw .....
202324	10244	Hook Shaft Connection Belt Pulley Spring Flange .....
202260	—	Hook Shaft Oil Packing (wick) (2) .....
206775	10968	Hook Shaft Pin .....
244014	13375	" Washer .....
200145c	13386	" " Screw .....
208490	13387	Knee Lifter Connection Lever .....
202877	—	" " " " 208490 with 202447, 202876 and two 200262n .....
200262n	10248	Knee Lifter Connection Lever Hinge Screw .....
202447	13387	Knee Lifter Connection Lever Lifting Rod with 202302 .....

No.	Plate	Name
202302	10248	Knee Lifter Connection Lever Lifting Rod Cotter Pin .....
202876	13387	Knee Lifter Lifting Lever .....
200262h	10248	" " " " Hinge Screw .....
206934	10951	Knife .....
207062	10967	" Arm with 200076b .....
207063	10967	" " Base Plate with two 200061b .....
207064	10967	Knife Arm Base Plate 207063 with 207062 and two 207065 .....
206939	10951	Knife Arm Base Plate Position Plate .....
200574e	13386	Knife Arm Base Plate Position Plate Screw (2) .....
200540e	10949	Knife Arm Base Plate Screw .....
202622	10949	" " " " Washer .....
207065	10951	" " Center .....
200061b	10968	" " " Set Screw .....
206941	10951	" " Driving Link .....
200994c	10949	" " " " Hinge Screw (lower) .....
200993c	10949	Knife Arm Driving Link Hinge Screw (upper) .....
202887	10948	Knife Bar .....
206940	10949	" " Cross Head .....
206942	-----	" " " " 206940 with 200993c, 200994c and 206941 .....
200898b	10949	Knife Bar Cross Head Screw (2) ..
202889	10373	" " Driving Eccentric with 200382c and 200437c .....
202890	10373	Knife Bar Driving Eccentric Fork with 200382c and 201464c .....
201464c	10968	Knife Bar Driving Eccentric Fork Position Screw .....
200382c	10373	Knife Bar Driving Eccentric Fork Set Screw .....
200437c	10246	Knife Bar Driving Eccentric Position Screw .....
200382c	10373	Knife Bar Driving Eccentric Set Screw .....
202891	10947	Knife Bar Driving Shaft Crank with 200694f and 201525e .....
200694f	10373	Knife Bar Driving Shaft Crank Screw Stud .....
201525e	13384	Knife Bar Driving Shaft Crank Screw Stud Nut .....

No.	Plate	Name
202892	10373	Knife Bar Friction Gib .....
202893	10373	" " Lifting Spring (spiral) .....
202894	10949	" " " " Bracket .....
200585h	10373	" " " " " Screw (2) .....
200485e	10373	Knife Bar Lifting Spring Thumb Screw .....
206949	10949	Knife Bar Stop Plate (lower) Face Plate Hinge and Holder .....
206950	10949	Knife Bar Stop Plate (upper) and Face Plate Stop .....
200582h	10252	Knife Bar Stop Plate Screw (4) ..
200076h	10949	" Screw .....
202898	10947	" Switch-out Handle with two 200403c .....
200403c	10968	Knife Switch-out Handle Set Screw ..
202899	10373	" " " Shaft .....
202900	10373	" " " Spring (spiral) .....
202901	10949	Needle Bar with 20044e .....
202550	13386	" " Bushing .....
207022	-	" " " 202550 with 202901 ..
200352c	10373	" " " Set Screw .....
202331	10248	" " Connecting Link .....
236073	13375	" " " " Oil Guard .....
200161b	10247	Needle Bar Connecting Link Oil Guard Screw .....
202333	10248	Needle Bar Connecting Link Stud with 202254 .....
202254	-	Needle Bar Connecting Link Stud Oil Packing (wick) .....
200274c	13375	Needle Bar Connecting Link Stud Set Screw .....
206891	-	Needle Bar Connecting Stud .....
202329	10248	" " " " 206891 with 200066c and 202330 .....
202330	-	Needle Bar Connecting Stud Oil Packing (wick) .....
200886c	10248	Needle Bar Connecting Stud Pinch Screw .....
202328	10947	Needle Bar Crank with 200335c, 200128, 202333 and two 200371c ..
203117	-	Needle Bar Crank 202328 with 202329, 202331 and 202398 to 202400 .....
202472	10248	Needle Bar Crank Friction Washer ..
200428c	10248	" " " Position Screw ..
200335c	10244	" " " Set Screw .....
200441c	10248	" Set Screw .....

No.	Plate	Name
244033	—	Presser Bar (hollow) .....
202335	10948	" " 244033 with 200074F ..
207072	10249	" " Bushing .....
200352c	10373	" " " Set Screw ....
202339	10249	" " Lifter .....
200653c	10249	" " " Hinge Screw ...
244004	13375	" " Lifting Releasing Lev- er Bracket .....
200260D	10249	Presser Bar Lifting Releasing Lev- er Bracket Guide Screw .....
206608	13375	Presser Bar Lifting Releasing Lev- er Bracket Spring .....
202337	10249	Presser Bar Position Guide .....
202338	10249	" " " " Lever with 200086F .....
200086F	10248	Presser Bar Position Guide Lever Pinch Screw .....
200352c	10373	Presser Bar Position Guide Set Screw .....
202343	10949	Presser Bar Spring .....
202346	10249	" " " Stop Rod .....
200492B	10249	" " Thumb Screw (pres- sure regulating) .....
202090	10949	Presser Foot Hinge Pin .....
206943	—	" " Plate .....
202923	—	" " Shank .....
206944	10951	Presser Foot (hinged) complete, for trimming margins from $\frac{1}{4}$ to $\frac{1}{2}$ in., in steps of $\frac{1}{8}$ in., Nos. 202090, 202923 and 206943 .....
200074F	10249	Presser Foot Screw .....
202397	13386	Take-up (auxiliary) .....
200842E	13386	" " Screw .....
202398	10247	" Lever .....
202399	10247	" " Driving Stud with 202277 .....
202277	—	Take-up Lever Driving Stud Oil Packing (wick) .....
202400	10247	Take-up Lever Hinge Stud with 202423 .....
202423	—	Take-up Lever Hinge Stud Oil Packing (wick) .....
200383c	10246	Take-up Lever Hinge Stud Set Screw .....
202401	10247	Take-up Lever Oiling Felt .....
200132E	10247	" " " " Screw ..
244007	10247	Tension Disc (back) .....
244008	10247	" " (front) .....
202404	10247	" Release Plunger .....

No.	Plate	Name
202405	10247	Tension Release Washer .....
202407	10881	" Spring .....
200625F	10247	" Stud with 204925 .....
200061c	10968	" " Set Screw .....
204925	13386	" " Washer .....
201572B	10881	" Thumb Nut .....
202409	10252	Tension complete, Nos. 200625F, 201572B, 202405, 202407, 202410, 244007 and 244008 .....
202410	10252	Thread Controller Spring .....
202411	10252	" " " Stop .....
200132E	10247	" " " " Screw
202412	10252	" Guide .....
202413	10252	" " .....
202414	10252	" " .....
202415	10252	" " .....
202979	10252	" " .....
200582H	10252	" " Screw .....
200355H	10252	" " Set Screw .....
200368H	13386	" " " " .....
202091	10252	" Retainer Sleeve .....
202092	10252	" " Spring .....
204058	10252	" " Stud .....
200368H	13386	" " " Set Screw .....
204059	—	Thread Retainer complete, Nos. 202091, 202092 and 204058 .....
206955	—	Throat Plate, 50 needle hole, for needle sizes 14 and 15, with 202534 and two 200582H .....
202534	13386	Throat Plate Bobbin Case Stop
200582H	10252	" " " " " " Screw .....
206945	13386	Throat Plate Knife Cutting Plate, for trimming margins $\frac{3}{16}$ , $\frac{1}{4}$ and $\frac{1}{2}$ inch .....
200145c	13386	Throat Plate Knife Cutting Plate Screw .....
206946	10951	Throat Plate complete, 50 needle hole, for needle sizes 14 and 15, for trimming margins $\frac{3}{16}$ , $\frac{1}{4}$ and $\frac{1}{2}$ in., Nos. 206945, 206955 and two 200145c .....
200577H	13384	Throat Plate Screw (2) .....

## LIST OF PARTS COMPLETE

FOR

## MACHINE No. 61w92

VERTICAL SEAM TRIMMER

For Light and Medium Fabrics. Knife on Hinged Arm

Can Be Thrown In or Out of Action.

No.	Plate	Name
*207089	---	Arm .....
207073	10968	" Bushing Hole Plug .....
200352c	10244	" " " " Set Screw .....
203091	13385	" Cap .....
200278H	10244	" " Screw .....
202248	10244	" " " Washer .....
203089	10947	" " Spool Holder Base .....
203090	10947	" " " " " 203089 with 200079H and 204296 .....
200585H	10373	Arm Cap Spool Holder Base Screw .....
204296	10947	" " " " Wire .....
200079H	13384	" " " " " Hinge Screw .....
203092	-----	Arm Cap and Spool Holder com- plete, Nos. 203090, 203091 and two 200585H .....
204235	13375	Arm Position Pin .....
200010E	13384	" Screw (3) .....
202005	13384	" " Washer (3) .....
206923	13385	" Shaft with 200357E and 203100 .....
202243	10947	" " Bushing (back) with 202244 .....
202244	-----	Arm Shaft Bushing (back) Oil Packing (wick) .....
200338c	10244	Arm Shaft Bushing (back) Set Screw .....
207080	13385	Arm Shaft Bushing (front) with 202244 .....
202244	---	Arm Shaft Bushing (front) Oil Packing (wick) .....
200502B	10246	Arm Shaft Bushing (front) Oil Packing Thumb Screw .....
200338c	10244	Arm Shaft Bushing (front) Set Screw .....

No.	Plate	Name
202530	13385	Arm Shaft Connection Belt .....
202252	10244	" " " " Pulley with 200327c, 200602e and two 202253 .....
200602e	10244	Arm Shaft Connection Belt Pulley Position Screw .....
200327c	10244	Arm Shaft Connection Belt Pulley Set Screw .....
202253	10244	Arm Shaft Connection Belt Pulley Spring Flange .....
203100	---	Arm Shaft Oil Packing (wick) ...
200357E	10244	" " " " Stop Screw .....
202255	10948	Balance Wheel (bell groove 2 1/2 in. diam.) with 200328c and 200335c .....
200328c	10244	Balance Wheel Position Screw ....
200335c	10244	" " Set Screw .....
*207088	-----	Bed .....
207004	13387	" Plate (back) .....
209577H	13384	" " " Screw (2) .....
244001	13387	" " (cover plate) .....
200092b	10949	" " " " Screw .....
244002	---	" Slide (front) .....
244003	13387	" " 244002 with 202115 and two 200139E .....
202115	13386	Bed Slide (front) Spring .....
200139E	13386	" " " " Screw ....
202265	13384	Bobbin .....
*202806	---	" Case .....
202267	13384	" " Latch .....
*202056	---	" " " Pin .....
202269	13384	" " " Plunger .....
202270	13384	" " " Spring .....
202716	13384	" " Tension Spring .....
200984c	13384	" " " " Regulat- ing Screw .....
200594c	13384	Bobbin Case Tension Spring Screw .....
202533	13384	Bobbin Case complete, Nos. 200594c, 200984c, 202056, 202267, 202269, 202270, 202716 and 202806 .....
206951	10947	Face Plate .....
206929	13384	Feed Bar with 206970 .....
200641c	10246	" " Hinge Screw (driving) .....
201522E	10246	" " " " Nut .....
202756	13384	" " Lifting Connection Link .....
206932	13384	" " " " " " Bushings .....
206970	13384	Feed Bar Lifting Connection Link Bushings (for feed bar) .....



No.	Plate	Name
200182E	10949	Feed Bar Lifting Connection Link Stop Screw .....
207025	10968	Feed Dog .....
200106E	13384	" " Screw (2) .....
202297	10948	" Driving Connection with 200054E and 202277 .....
202298	13384	Feed Driving Connection Crank with 200038c .....
200038c	13384	Feed Driving Connection Crank Pinch Screw .....
200545c	13384	Feed Driving Connection Hinge Screw .....
201518E	13384	Feed Driving Connection Hinge Screw Nut .....
202277	—	Feed Driving Connection Oil Packing (wick) .....
200054E	10246	Feed Driving Connection Pinch Screw .....
202300	10246	Feed Driving Eccentric Regulating Bracket .....
203134	—	Feed Driving Eccentric Regulating Bracket 202300 with 202252, two each 201014c and 201525E .....
201014c	13384	Feed Driving Eccentric Regulating Bracket Hinge Screw .....
201525E	13384	Feed Driving Eccentric Regulating Bracket Hinge Screw Nut .....
202301	10246	Feed Driving Eccentric Regulating Bracket Plunger .....
202595	10246	Feed Driving Eccentric Regulating Bracket Plunger Spring .....
200607c	10246	Feed Driving Eccentric Regulating Bracket Plunger Spring Stop Screw .....
201014c	13384	Feed Driving Eccentric Regulating Bracket Stop Screw .....
201525E	13384	Feed Driving Eccentric Regulating Bracket Stop Screw Nut .....
200429c	10246	Feed Driving Eccentric Regulating Screw .....
200383c	10246	Feed Driving Eccentric Regulating Screw Check Screw .....
202303	10948	Feed Driving Rock Shaft .....
206931	—	" " " " 202303 with 200182E, 200641c, 201522E, 202756 and 206929 .....
202305	13384	Feed Driving Rock Shaft Center (2) .....
200043c	10246	" " " " " Set Screw (2) .....

No.	Plate	Name
202306	10948	Feed Lifting Connection with 200054E and 202277 .....
*206948	—	Feed Lifting Connection Crank .....
206952	13384	" " " " 206948 with 200038c and 200378c .....
200038c	13384	Feed Lifting Connection Crank Pinch Screw .....
200378c	13386	Feed Lifting Connection Crank Set Screw .....
202307	10246	Feed Lifting Connection Eccentric with 200382c and 200437c .....
200437c	10246	Feed Lifting Connection Eccentric Position Screw .....
200382c	10373	Feed Lifting Connection Eccentric Set Screw .....
200545c	13384	Feed Lifting Connection Hinge Screw .....
201518E	13384	Feed Lifting Connection Hinge Screw Nut .....
202277	—	Feed Lifting Connection Oil Packing (wick) .....
200054E	10246	Feed Lifting Connection Pinch Screw .....
206933	13385	Feed Lifting Rock Shaft (hollow) and Hook Shaft Bearing with 206932 .....
202625	10949	Feed Lifting Rock Shaft Stop Collar with two 200383c .....
200383c	10246	Feed Lifting Rock Shaft Stop Collar Set Screw .....
202310	13385	Feed Regulating Spindle with 202311, 202443 and 202619 .....
*202311	—	Feed Regulating Spindle Head .....
202443	10244	" " " " Pin .....
202619	13375	" " " " Position Pin .....
*244010	—	Hook (sewing) .....
244011	13387	" 244010 with 200145c, 200596E, 200614c, 202320, 203101, 206775, 206852 and 244014 .....
244012	—	Hook and Bobbin Case complete, Nos. 202533 and 244011 .....
244013	13375	Hook Counter Balance with 200444c .....
200444c	13375	" " " Position Screw .....

No.	Plate	Name
206852	13375	Hook Gib .....
200614c	13386	" " Hinge Screw .....
200596F	13386	" " Screw .....
203101	-----	" Oil Wick .....
*202320	-----	" Shaft, 11 $\frac{1}{8}$ in. long .....
202323	10244	" " Connection Belt Pulley with 202324 and two 201018c .....
201018c	13375	Hook Shaft Connection Belt Pulley Set Screw .....
202324	10244	Hook Shaft Connection Belt Pulley Spring Flange .....
202260	-----	Hook Shaft Oil Packing (wick) (2)
206775	10968	" " Pin .....
244014	13375	" Washer .....
200145c	13386	" " Screw .....
208490	13387	Knee Lifter Connection Lever .....
202877	-----	" " " " 208490 with 202447, 202876 and two 200262H .....
200262H	10248	Knee Lifter Connection Lever Hinge Screw .....
202447	13387	Knee Lifter Connection Lever Lift- ing Rod with 202302 .....
202302	10248	Knee Lifter Connection Lever Lift- ing Rod Cotter Pin .....
202876	13387	Knee Lifter Lifting Lever .....
200262H	10248	" " " " Hinge Screw .....
207007	10951	Knife .....
207066	10967	" Arm with two 200076D .....
207067	10967	" " Base Plate with two 200061D .....
207068	10967	Knife Arm Base Plate 207067 with 207066 and two 207065 .....
207011	13386	Knife Arm Base Plate Position Plate .....
200574E	13386	Knife Arm Base Plate Position Plate Screw (2) .....
200540E	10949	Knife Arm Base Plate Screw .....
202622	10949	" " " " Washer
207065	10951	" " Center .....
200061D	10968	" " " Set Screw .....
207006	13386	" " Driving Link .....
200994c	10949	" " " " Hinge Screw (lower) .....
200993c	10949	Knife Arm Driving Link Hinge Screw (upper) .....

No.	Plate	Name
202887	10948	Knife Bar .....
206940	10949	" " Cross Head .....
207016	-----	" " " " 206940 with 200993c, 200994c and 207006 .....
200898D	10949	Knife Bar Cross Head Screw (2) ..
202889	10373	" " Driving Eccentric with 200382c and 200437c .....
202890	10373	Knife Bar Driving Eccentric Fork with 200382c and 201464c .....
201464c	10968	Knife Bar Driving Eccentric Fork Position Screw .....
200382c	10373	Knife Bar Driving Eccentric Fork Set Screw .....
200437c	10246	Knife Bar Driving Eccentric Posi- tion Screw .....
200382c	10373	Knife Bar Driving Eccentric Set Screw .....
202891	10947	Knife Bar Driving Shaft Crank with 200694F and 201525E .....
200694F	10373	Knife Bar Driving Shaft Crank Screw Stud .....
201525E	13384	Knife Bar Driving Shaft Crank Screw Stud Nut .....
202892	10373	Knife Bar Friction Gib .....
202893	10373	" " Lifting Spring (spiral)
202894	10949	" " " " Bracket
200585H	10373	" " " " " Screw (2) .....
200485E	10373	Knife Bar Lifting Spring Thumb Screw .....
206949	10949	Knife Bar Stop Plate (lower) Face- Plate Hinge and Holder .....
206950	10949	Knife Bar Stop Plate (upper) and Face Plate Stop .....
200582H	10252	Knife Bar Stop Plate Screw (4) ..
200076D	10949	" Screw .....
202898	10947	" Stitch-out Handle with two 200403c .....
200403c	10968	Knife Stitch-out Handle Set Screw
202899	10373	" " " Shaft .....
202900	10373	" " " Spring (spiral) .....
202901	10949	Needle Bar with 200141F .....
202550	13386	" " Bushing .....
207022	-----	" " " 202550 with 202901 .....
200352c	10373	Needle Bar Bushing Set Screw ..
202331	10248	" " Connecting Link .....
236073	13375	" " " " Oil Guard .....

No.	Plate	Name
202306	10948	Feed Lifting Connection with 200054E and 202277 .....
*206948	—	Feed Lifting Connection Crank
206952	13384	" " " " 206948 with 200038c and 200378c
200038c	13384	Feed Lifting Connection Crank Pinch Screw .....
200378c	13386	Feed Lifting Connection Crank Set Screw .....
202307	10246	Feed Lifting Connection Eccentric with 200382c and 200437c .....
200437c	10246	Feed Lifting Connection Eccentric Position Screw .....
200382c	10373	Feed Lifting Connection Eccentric Set Screw .....
200545c	13384	Feed Lifting Connection Hinge Screw .....
201518E	13384	Feed Lifting Connection Hinge Screw Nut .....
202277	—	Feed Lifting Connection Oil Packing (wick) .....
200054E	10246	Feed Lifting Connection Pinch Screw .....
206933	13385	Feed Lifting Rock Shaft (hollow) and Hook Shaft Bearing with 206932 .....
202625	10949	Feed Lifting Rock Shaft Stop Collar with two 200383c .....
200383c	10246	Feed Lifting Rock Shaft Stop Collar Set Screw .....
202310	13385	Feed Regulating Spindle with 202311, 202443 and 202619 .....
*202311	—	Feed Regulating Spindle Head .....
202443	10244	" " " " Pin .....
202619	13375	" " " " Position Pin .....
*244010	—	Hook (sewing) .....
244011	13387	" 244010 with 200145c, 200596F, 200614c, 202320, 203101, 206775, 206852 and 244014 .....
244012	—	Hook and Bobbin Case complete, Nos. 202533 and 244011 .....
244013	13375	Hook Counter Balance with 200444c
200444c	13375	" " " Position Screw

No.	Plate	Name
200074F	10249	Presser Foot Screw .....
202397	13386	Take-up (auxiliary) .....
200842E	13386	" " Screw .....
202398	10247	" Lever .....
202399	10247	" " Driving Stud with 202277 .....
202277	—	Take-up Lever Driving Stud Oil Packing (wick) .....
202400	10247	Take-up Lever Hinge Stud with 202423 .....
202423	—	Take-up Lever Hinge Stud Oil Packing (wick) .....
200383c	10246	Take-up Lever Hinge Stud Set Screw .....
202401	10247	Take-up Lever Oiling Felt .....
200132E	10247	" " " " Screw .....
244007	10247	Tension Disc (back) .....
244008	10247	" " (front) .....
202404	10247	" Release Plunger .....
202405	10247	" " Washer .....
202407	10881	" Spring .....
200625F	10247	" Stud with 204925 .....
200061c	10968	" " Set Screw .....
204925	13386	" " Washer .....
201572B	10881	" Thumb Nut .....
202409	10252	Tension complete, Nos. 200625F, 201572B, 202405, 202407, 202410, 244007 and 244008 .....
202410	10252	Thread Controller Spring .....
202411	10252	" " " Stop .....
200132E	10247	" " " " Screw .....
202412	10252	" Guide .....
202413	10252	" " .....
202414	10252	" " .....
202415	10252	" " .....
202979	10252	" " .....
200582H	10252	" " Screw .....
200355H	10252	" " Set Screw .....
200368H	13386	" " " " .....
202091	10252	" Retainer Sleeve .....
202092	10252	" " Spring .....
204058	10252	" " Stud .....
200368H	13386	" " " Set Screw .....
204059	—	Thread Retainer complete, Nos. 202091, 202092 and 204058 .....
207017	—	Throat Plate, 50 needle hole, for needle sizes 14 and 15, with 202534, 207069 and two 200582H .....

No.	Plate	Name
202534	13386	Throat Plate Bobbin Case Stop
200582H	10252	“ “ “ “ “
		Screw .....
207013	13386	Throat Plate Knife Cutting Plate, for trimming margins from $\frac{3}{8}$ to $\frac{1}{4}$ in., in steps of $\frac{1}{32}$ inch .....
207069	10968	Throat Plate Knife Cutting Plate Position Pin .....
200583H	13386	Throat Plate Knife Cutting Plate Screw .....
207018	10956	Throat Plate complete, 50 needle hole, for needle sizes 14 and 15, for trimming margins from $\frac{3}{8}$ to $\frac{1}{4}$ in., in steps of $\frac{1}{32}$ in. Nos. 200583H, 207013 and 207017 ....
202872	13386	Throat Plate Position Pin .....
200577H	13384	“ “ Screw (2) .....

## ACCESSORIES

FOR MACHINE No. 61w91

No.	Plate	Name
202265	13384	Bobbin (5) .....
*225482	----	“ Case Screw Driver Blade ...
*225483	----	“ “ “ “ Handle ...
225497	12345	Bobbin Case Screw Driver com- plete, Nos. 225482 and 225483 ..
206934	10951	Knife (3) .....
135 x 5	----	Needles, three each, sizes 12 and 14
206945	13386	Throat Plate Knife Cutting Plate, for trimming margins $\frac{3}{8}$ , $\frac{5}{16}$ and $\frac{1}{4}$ inch .....
228172	----	Drip Pan with four 1 in. wire nails
41400	12345	Machine Rest Pin (wood) .....
12361	13388	Machine Hinge Connection (2) ...
120342	12345	Oiler (copper plated) with 120343..
120343	12345	“ Spout, $3\frac{1}{2}$ in. long .....
*225484	----	Screw Driver Blade .....
*225485	----	“ “ Handle .....
225498	12345	Screw Driver complete (7 $\frac{1}{2}$ in. long), Nos. 225484 and 225485 ..
225554	12345	Wrench (steel) .....

### BOBBIN WINDER

Swing Automatic, Right Hand

225453	10884	Frame with 202277 and 225438 ....
225454	10884	“ Hinge Pin .....
202277	-----	“ Oil Packing (wick) .....
225438	10884	“ “ Well Cap .....
225455	10884	“ Spring .....
225456	10884	“ “ Plunger .....
202473	10885	Pulley with 200380c .....
200380c	----	“ Set Screw .....
225381	10884	Spindle .....
225444	10884	Stop Latch .....
200056E	10884	“ “ Screw .....
225458	10884	“ “ Thumb Lever .....
225459	10884	“ “ “ “ Hinge Stud
225459	10884	“ “ “ “ Joint Stud
202478	10884	“ “ Trip Lever .....
200299H	10884	“ “ “ “ Hinge Screw

No.	Plate	Name
225461	10881	Tension Bracket with 201499B . . . . .
200082D	10881	" " Screw . . . . .
228026	10884	" " Washer . . . . .
2102	10881	" Disc . . . . .
202407	10881	" Spring . . . . .
201499B	10881	" Stud . . . . .
201572B	10881	" " Thumb Nut . . . . .
225462	10881	Bobbin Winder Tension Bracket complete, Nos. 201572B, 202407, 225461 and two 2102 . . . . .
225433	10885	Bobbin Winder and Tension Bracket Base . . . . .
225382	10885	Universal Bobbin Winder complete, Nos. 200056E, 200082D, 200299A, 202473, 202478, 225381, 225433, 225444, 225453 to 225456, 225458, 225462, 228026, two each 225459 and wood screws $\frac{3}{4}$ in., No. 12, R.H.B. . . . .

## KNEE LIFTER

2763	14171	Rock Shaft . . . . .
7539	14171	" " Hanger (back) with two wood screws 1 in., No. 10 . . . . .
20093	14171	Rock Shaft Hanger (front) with two wood screws 1 in., No. 10 . . . . .
2765	14171	Rock Shaft Knee Arm . . . . .
2768	—	" " " " 2765 with 2766 and 2767 . . . . .
2766	14171	Rock Shaft Knee Arm Hub with 356c . . . . .
356c	14171	Rock Shaft Knee Arm Hub Set Screw . . . . .
2767	14171	Rock Shaft Knee Plate with 356c . . . . .
356c	14171	" " " " Set Screw . . . . .
228238	14171	" " Lifting Lever with 356c . . . . .
228239	—	" " " " 228238 with 8073, 204225, 228240 and 228241 . . . . .
228240	14171	Rock Shaft Lifting Lever Rod (3 in. long) . . . . .
200529c	14171	Rock Shaft Lifting Lever Rod Set Screw . . . . .
228241	14171	Rock Shaft Lifting Lever Rod Swivel with 200529c . . . . .
204225	14171	Rock Shaft Lifting Lever Rod Swivel Spring . . . . .

No.	Plate	Name
8073	14171	Rock Shaft Lifting Lever Rod Swivel Spring Plunger . . . . .
356c	14171	Rock Shaft Lifting Lever Set Screw . . . . .
2770	14171	" " Stop Dog with 356c . . . . .
356c	14171	" " " " Set Screw . . . . .
228242	14171	Rock Shaft complete, Nos. 2763, 2768, 7539, 20093, 228239 and (two 2770 . . . . .

## RIBBON REEL

225663	—	Ribbon Reel (9 in. diam.) with 225666 . . . . .
225664	13388	Ribbon Reel Supporting Spindle . . . . .
225665	10956	" " " " Base with 225664 and two wood screws $\frac{3}{4}$ in., No. 7 . . . . .
230471	10968	Ribbon Reel Supporting Spindle Hub . . . . .
225666	13388	Ribbon Reel Supporting Spindle Hub 230471 with 225980 . . . . .
225980	13388	Ribbon Reel Supporting Spindle Hub Base . . . . .
225976	—	Ribbon Reel (9 in. diam.) complete, Nos. 225663 and 225665 . . . . .

## FOR MACHINE No. 61w92

Same as for Machine No. 61w91 with the following exceptions:

200157B	10951	Attachment Screw . . . . .
207013	13386	Throat Plate Knife Cutting Plate, for trimming margins from $\frac{3}{32}$ to $\frac{1}{4}$ in., in steps of $\frac{1}{32}$ in., in place of 206945 . . . . .
207007	10951	Knife (3), in place of 206934 . . . . .
228212	—	Drip Pan with four 1 in. wire nails, in place of 228172 . . . . .

Note. Ribbon Reel No. 225976 is not an Accessory for 61w92 Machine.

## BINDER AND FOLDER

No.	Plate	Name
231310	10968	Binder and Folder, in gauges $\frac{3}{8}$ , $\frac{1}{2}$ , $\frac{3}{4}$ , $\frac{1}{2}$ and 1 inch .....
206954	13388	Binder Base Plate .....
207028	—	" " " 206954 with 200161b and 206927 .....
206927	10947	Binder Guard .....
200161b	10247	" " Screw .....
200507b	13388	" Thumb Screw .....
207038	—	Binder and Folder on Base Plate complete, Nos. 207028, 231310 and two 200507b .....

## KNIFE GRINDER

FOR MACHINE No. 61w91

206977	—	Emery Wheel, 2 in. diameter ....
206962	10957	" " Driving Shaft .....
201510b	10957	" " " " Nut
204101	10957	" " " " " Washer .....
206963	10957	Emery Wheel Driving Shaft Pulley with two 200403c .....
200403c	10968	Emery Wheel Driving Shaft Pulley Set Screw .....
244040	—	Emery Wheel Guard .....
200054E	10246	" " " Screw .....
206969	—	" " Washer (paper) ....
206964	10957	Knife Grinder Frame with two 54897
54897	10968	" " " Oil Cup .....
206965	10957	" Holder Slide Bracket with 200394c, 200457b and 200473b ..
200457b	10957	Knife Holder Slide Bracket Adjust- ing Screw .....
206966	10957	Knife Holder Slide Bracket Adjust- ing Screw Slide Plate .....

No.	Plate	Name
200577H	13384	Knife Holder Slide Bracket Adjust- ing Screw Slide Plate Screw ....
200394c	10957	Knife Holder Slide Bracket Set Screw .....
206967	10957	Knife Holder Slide Bracket Shaft
200473b	10957	" Set Screw .....
206968	—	Knife Grinder complete, Nos. 200577H, 201510b, 204101, 206962 to 206967, 206977, 244040, two each 200054E and 206969 .....

FOR MACHINE No. 61w92

This Knife Grinder is the same as for Machine  
No. 61w91 with the following exceptions:

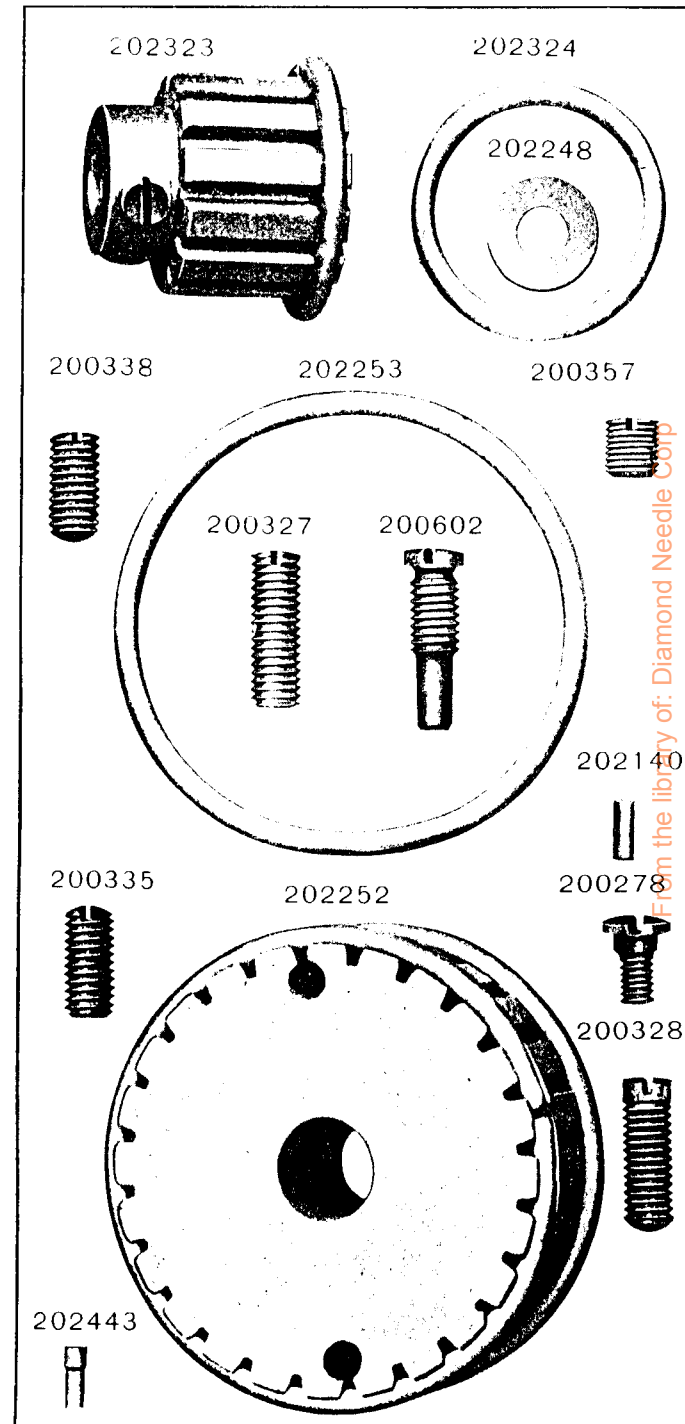
207026	10957	Knife Holder Slide Bracket with 200394c, 200457b, 200466b and 200473b, in place of 206965 .....
200466b	10968	Knife Set Screw .....
207027	—	Knife Grinder complete, Nos. 200577H, 201510b, 204101, 206962 to 206964, 206966, 206967, 206977, 207026, 244040, two each 200054E and 206969 .....

## THROAT PLATES

FOR MACHINE No. 61w91

206957	—	Throat Plate, 50 needle hole, for needle sizes 14 and 15, with 202534 and two 200582H .....
206956	—	Throat Plate Knife Cutting Plate, for trimming margins from $\frac{3}{16}$ to $\frac{1}{4}$ in., in steps of $\frac{1}{32}$ inch .....
206958	10956	Throat Plate complete, 50 needle hole, for needle sizes 14 and 15, for trimming margins from $\frac{3}{16}$ to $\frac{1}{4}$ in., in steps of $\frac{1}{32}$ in., Nos. 206956, 206957 and two 200145c..

No.	Plate	Name
206960	---	Throat Plate, 50 needle hole, for needle sizes 14 and 15, with 202534 and two 200582n .....
206959	---	Throat Plate Knife Cutting Plate, for trimming margins $\frac{13}{32}$ and $\frac{1}{2}$ inch .....
206961	10956	Throat Plate complete, 50 needle hole, for needle sizes 14 and 15, for trimming margins $\frac{13}{32}$ and $\frac{1}{2}$ in., Nos. 206959, 206960 and two 200145c .....
206972	---	Throat Plate, 50 needle hole, for needle sizes 14 and 15, with 202534 and two 200582n .....
206971	---	Throat Plate Knife Cutting Plate, for trimming margins $\frac{1}{4}$ and $\frac{5}{16}$ inch .....
206973	10960	Throat Plate complete, 50 needle hole, for needle sizes 14 and 15, for trimming margins $\frac{1}{4}$ and $\frac{5}{16}$ in., for binding, Nos. 206971, 206972 and two 200145c .....
207020	---	Throat Plate, 53 needle hole, for needle sizes 12 and 13, with 202534 and two 200582n .....
207019	---	Throat Plate Knife Cutting Plate, for trimming margins $\frac{3}{16}$ , $\frac{1}{4}$ and $\frac{1}{2}$ inch .....
207021	10960	Throat Plate complete, 53 needle hole, for needle sizes 12 and 13, for trimming margins $\frac{3}{16}$ , $\frac{1}{4}$ and $\frac{1}{2}$ in., Nos. 207019, 207020 and two 200145c .....



From the library of: Diamond Needle Corp

PLATE 10246-FULL SIZE

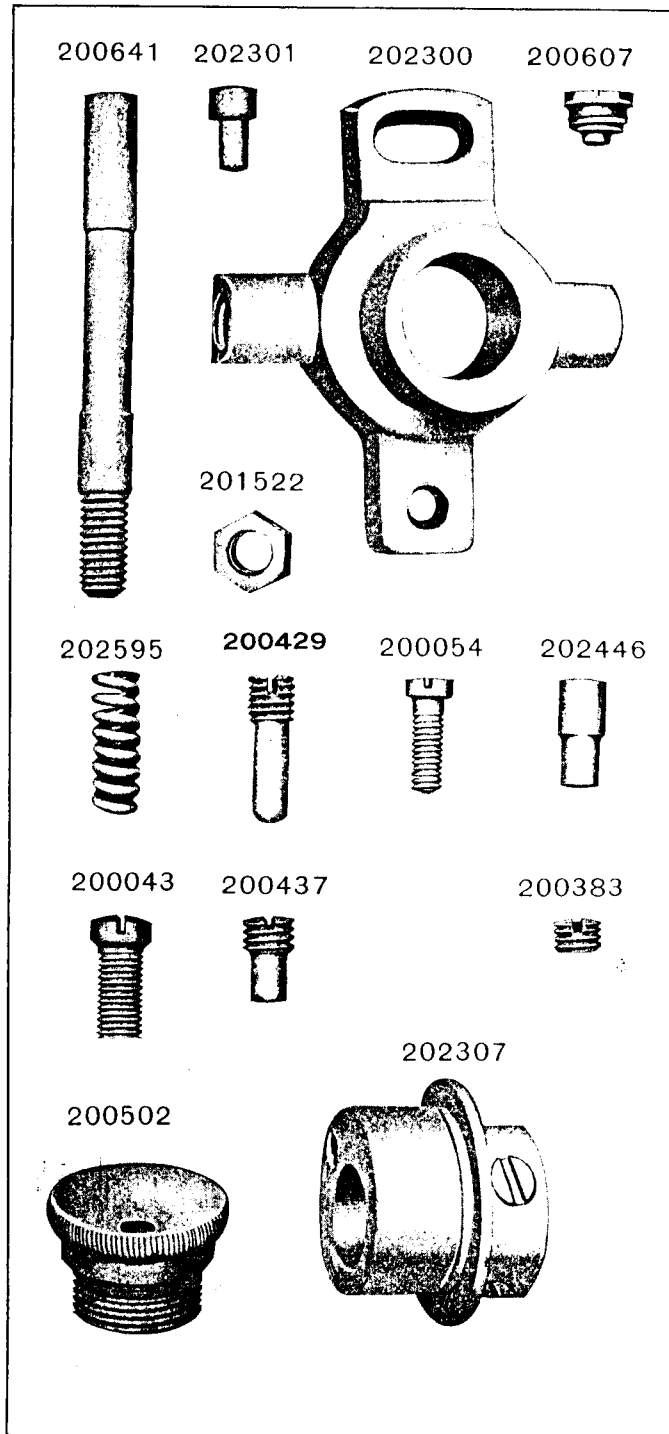
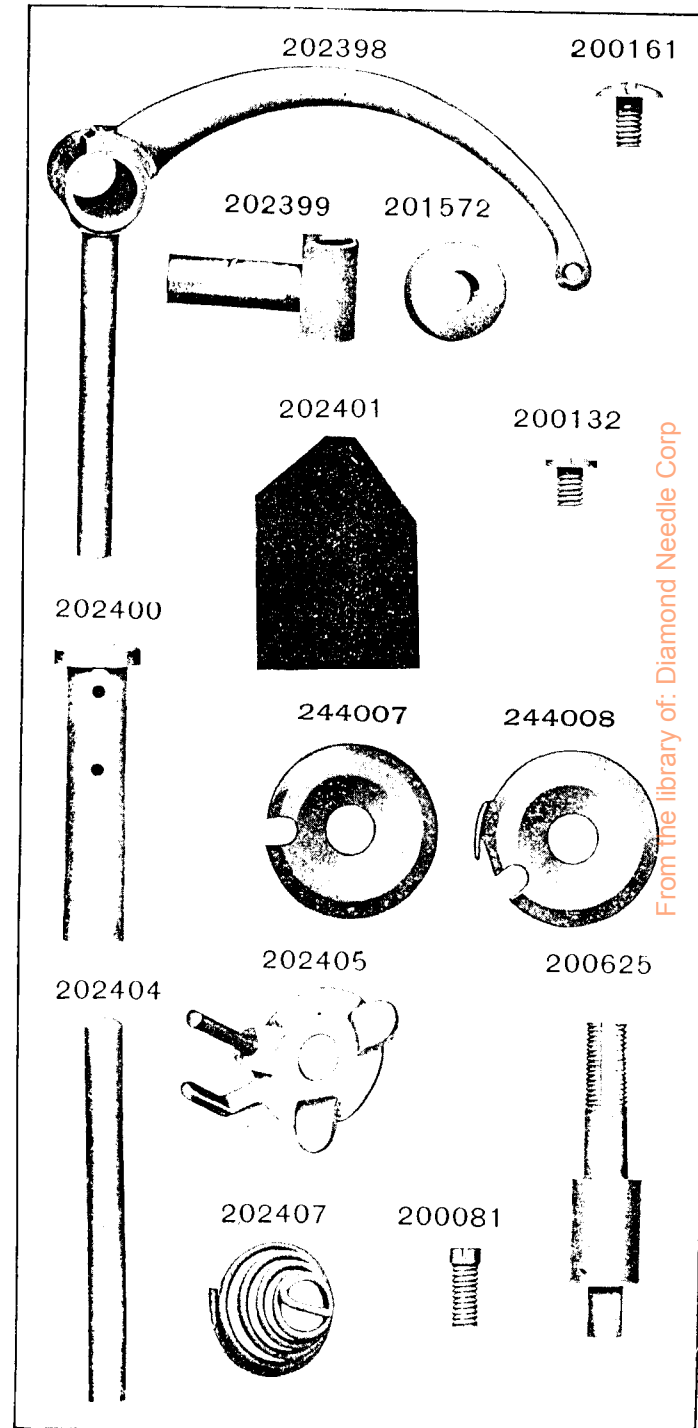


PLATE 10247-FULL SIZE



From the library of: Diamond Needle Corp



PLATE 10248—FULL SIZE

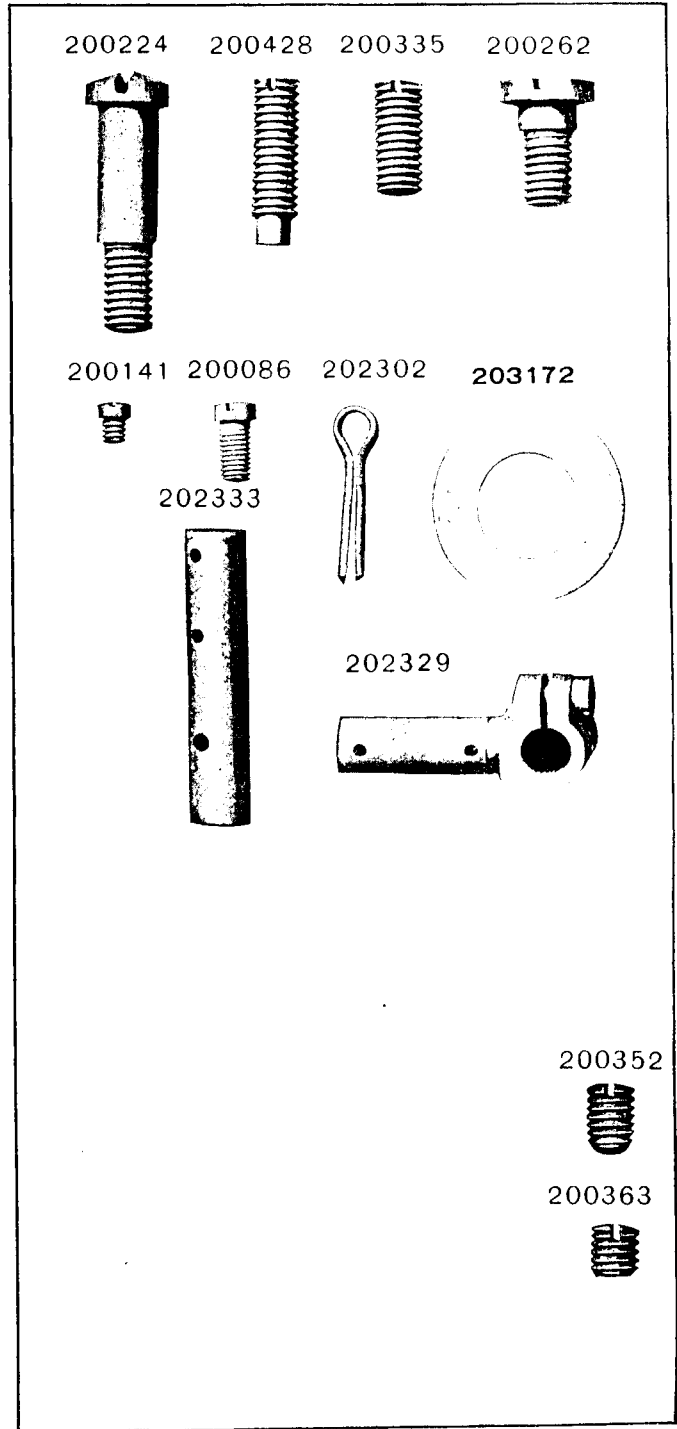
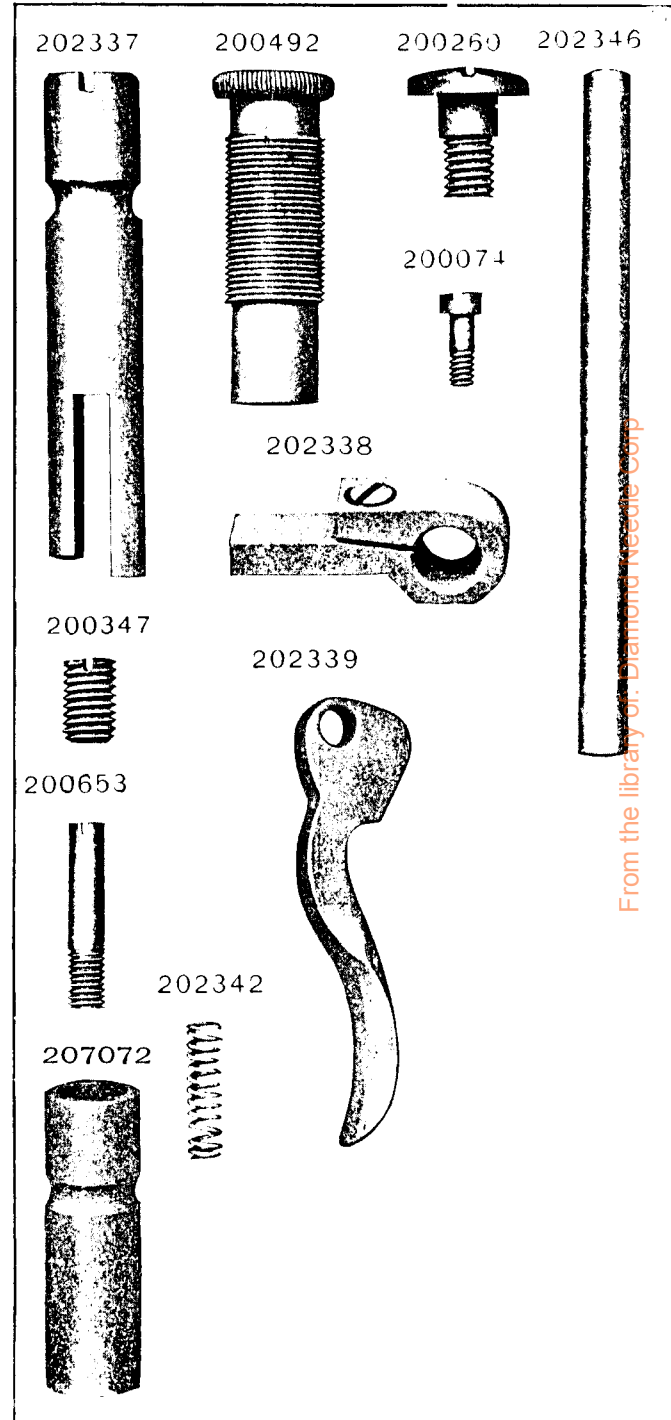


PLATE 10249—FULL SIZE



From the library of: Diamond Recept Corp

PLATE 10252—FULL SIZE

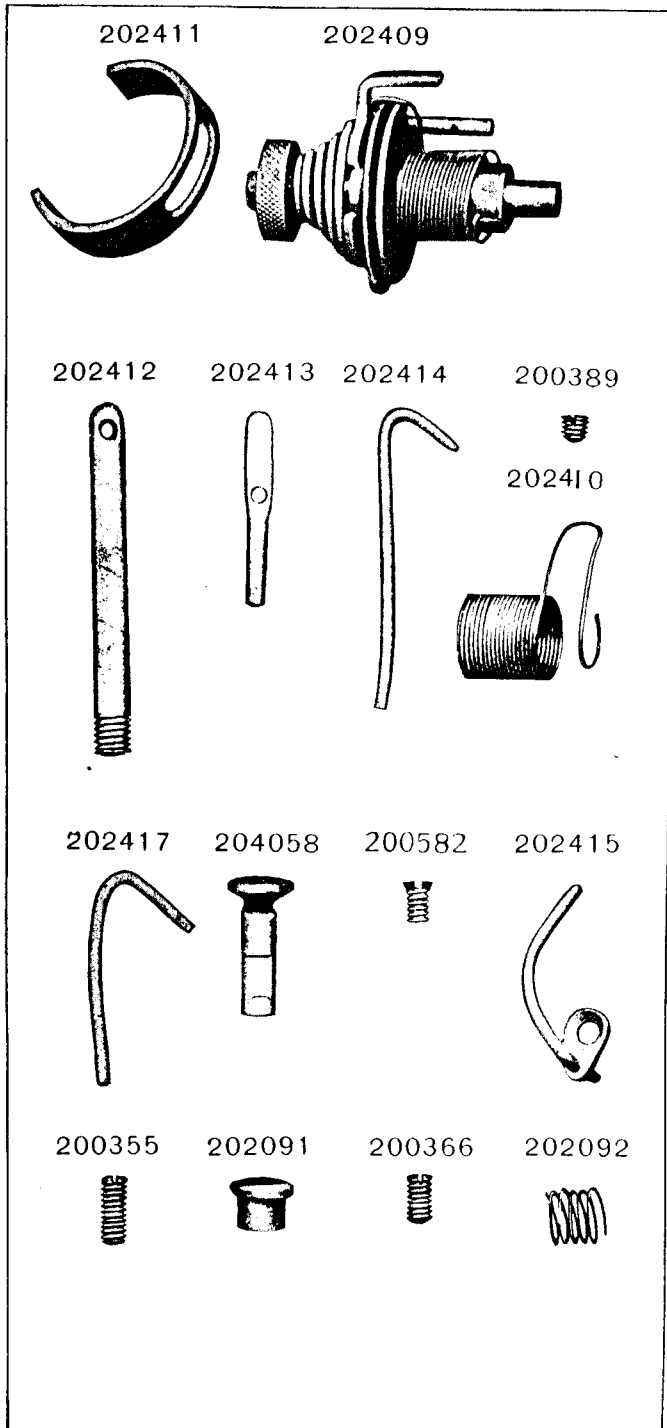
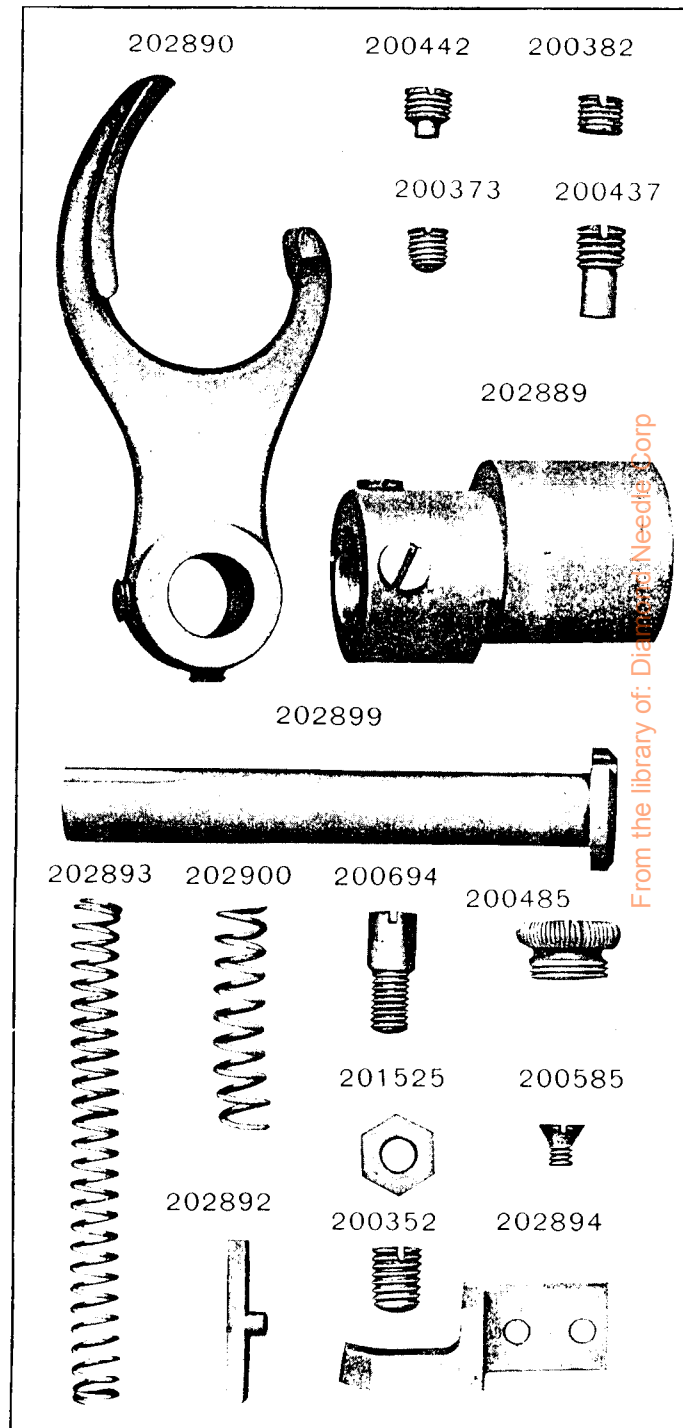


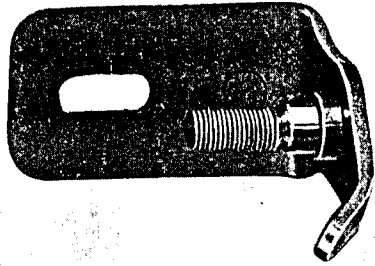
PLATE 10373—FULL SIZE



From the library of: Diamond Needle Corp

PLATE 10881—FULL SIZE

225461



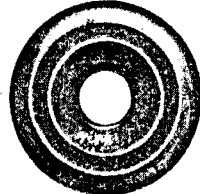
200082



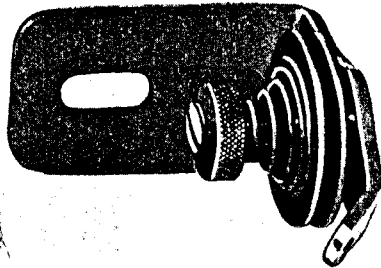
202104



2102



225462



202407



201499

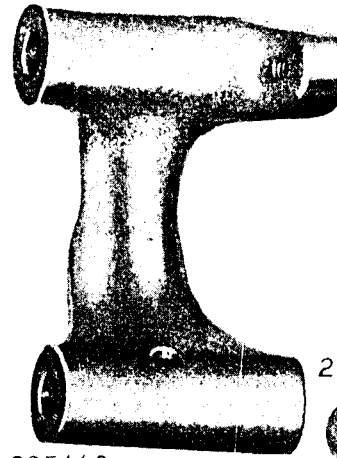


201572

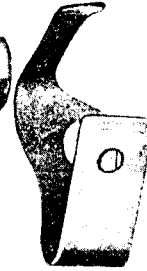


PLATE 10884—FULL SIZE

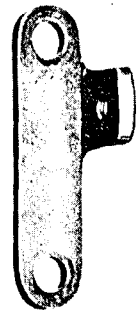
225453



225444



202478



228026



225458



225460



225454



200299



225438



200056



225459



200105



225456



225381



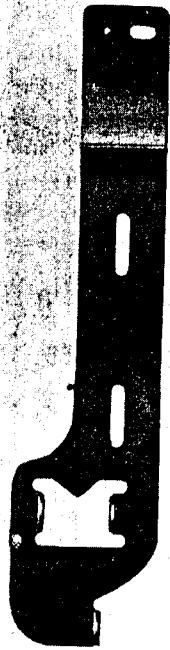
225455



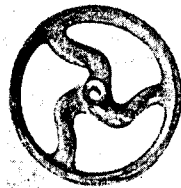
From the City of Lancaster, Calif.

PLATE 10885—ONE-FOURTH SIZE

225433



202473



225382

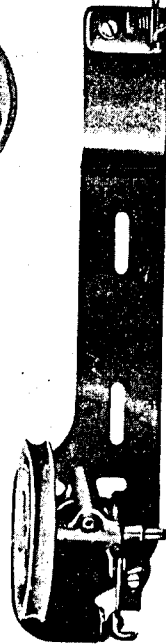
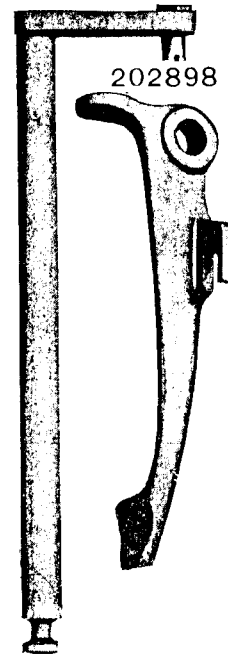


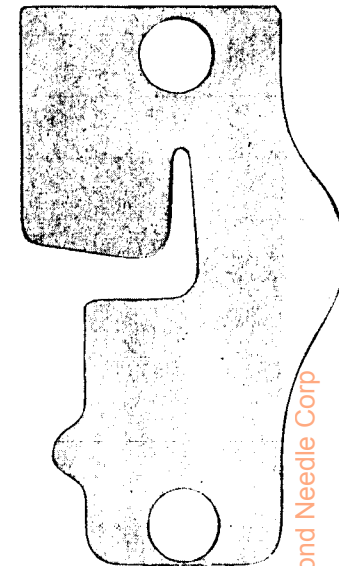
PLATE 10947—ONE HALF SIZE

202891

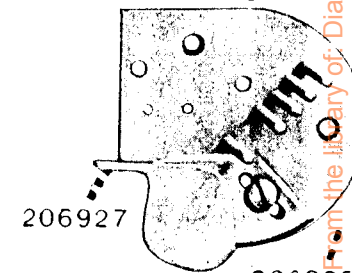


202898

206951



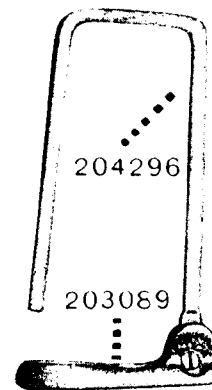
206928



206927

206925

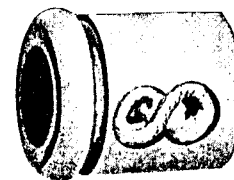
203090



204296

203089

202243



From the library of Diamond Needle Corp

PLATE 10948—ONE-HALF SIZE

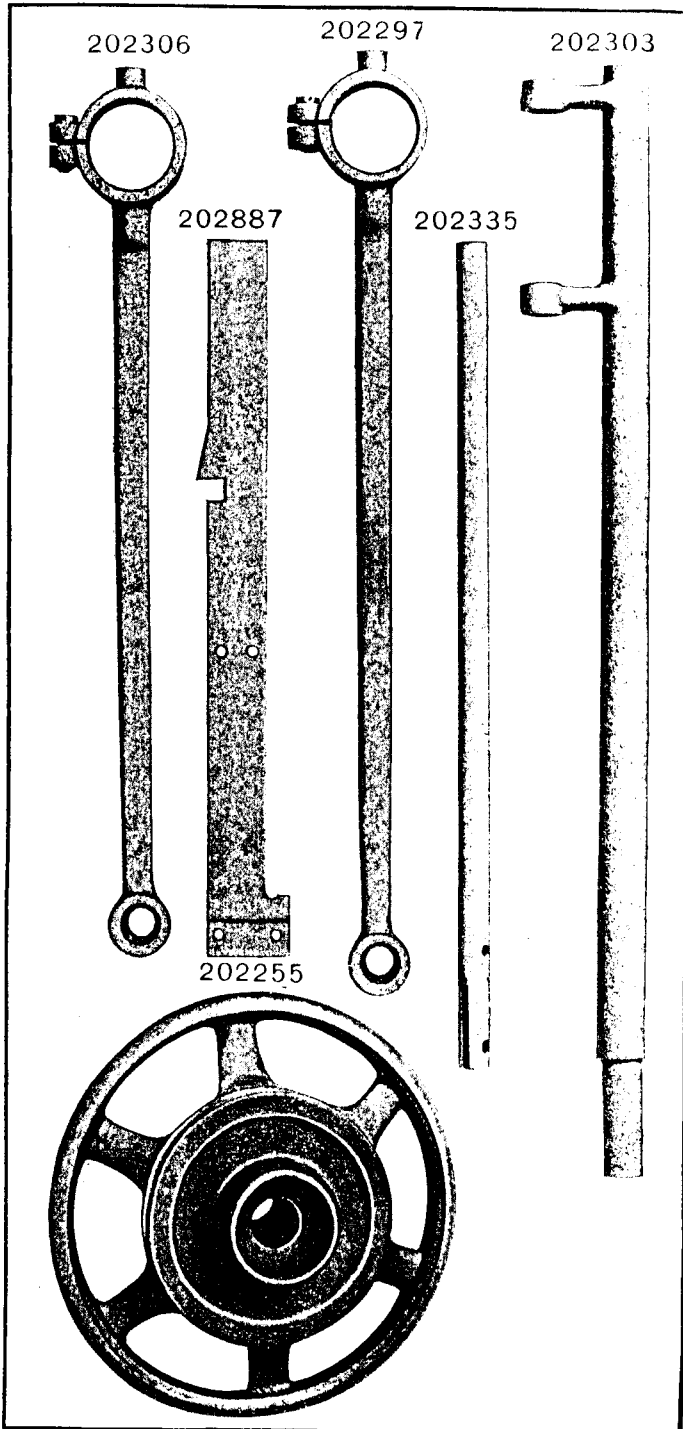
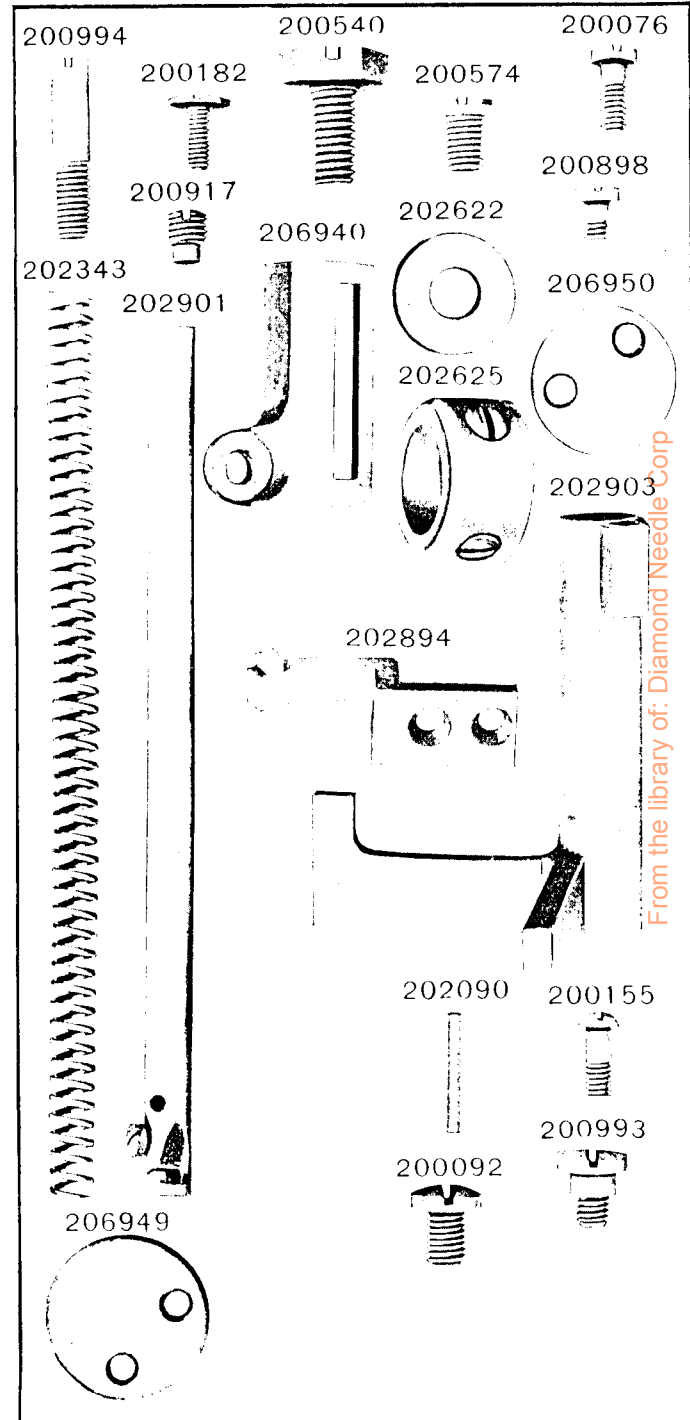


PLATE 10949—FULL SIZE



From the library of: Diamond Needle Corp

PLATE 10951—FULL SIZE

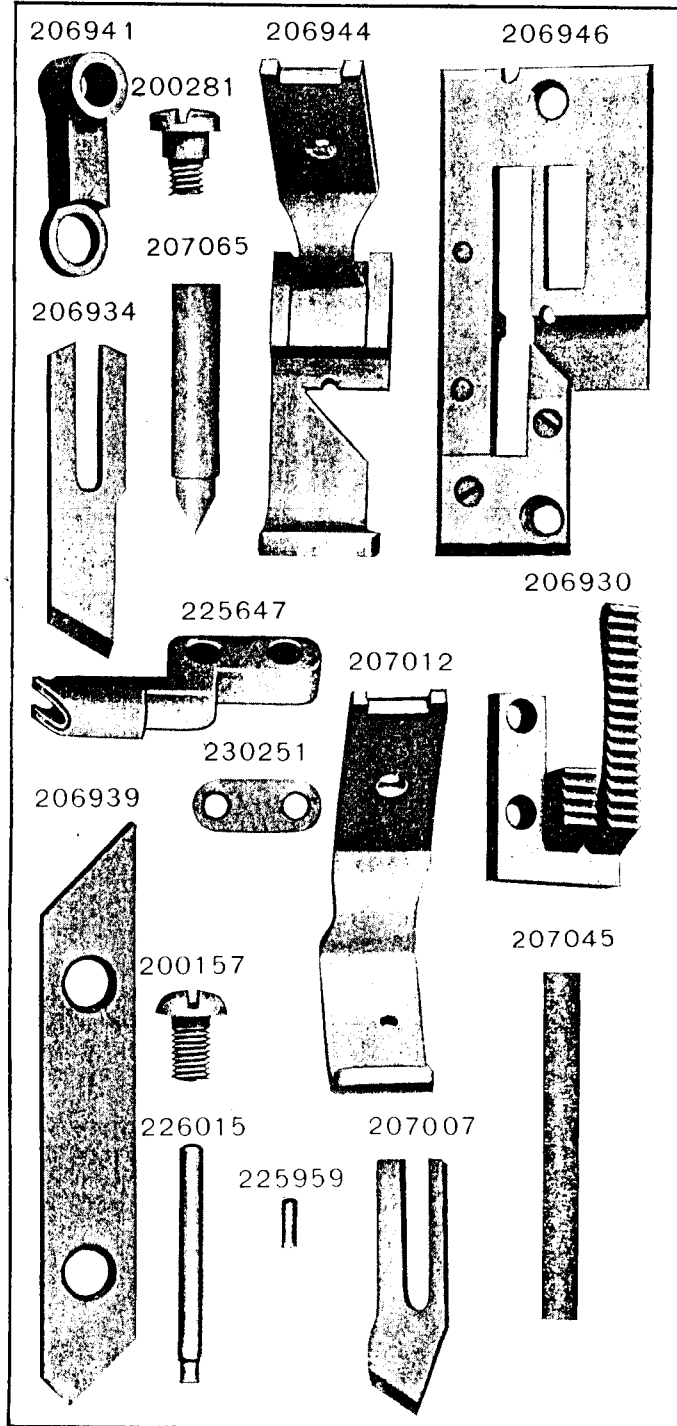
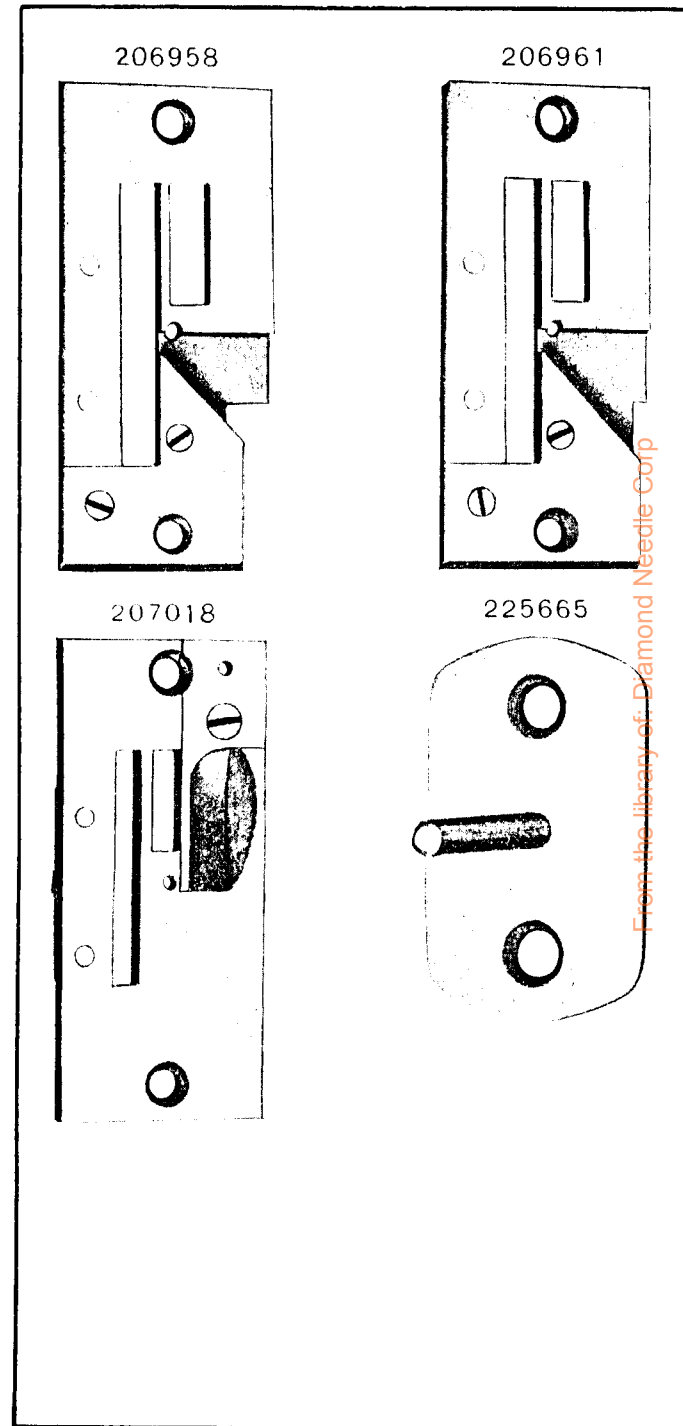


PLATE 10956—FULL SIZE



From the library of Diamond Needle Corp

PLATE 10957—ONE-HALF SIZE

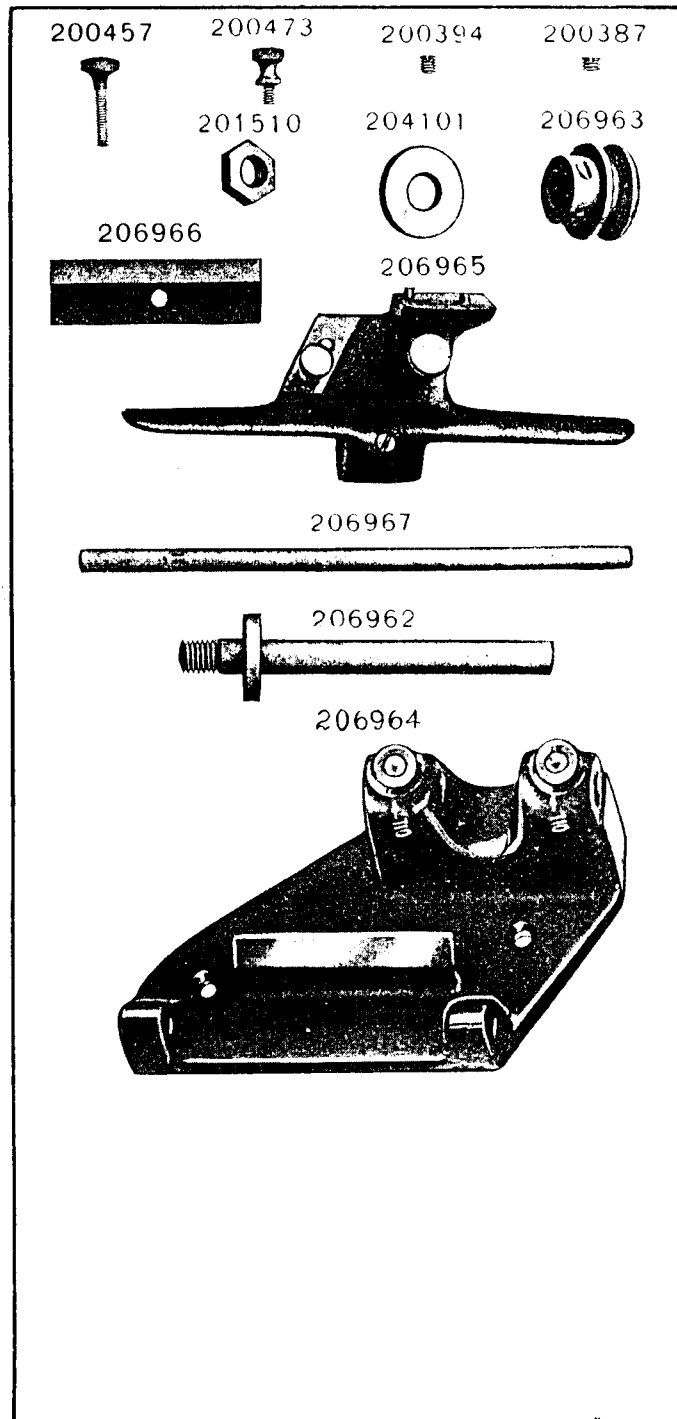
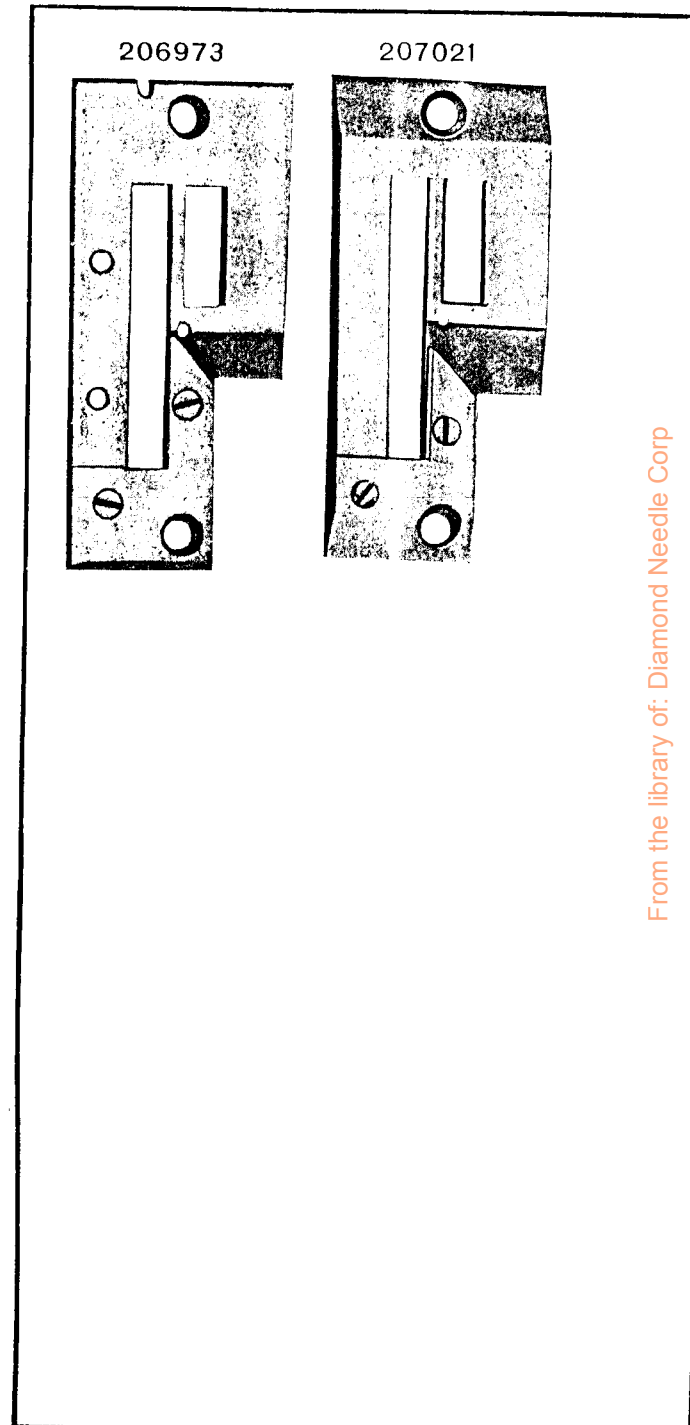


PLATE 10960—FULL SIZE



From the library of: Diamond Needle Corp



PLATE 10967—ONE-FOURTH SIZE

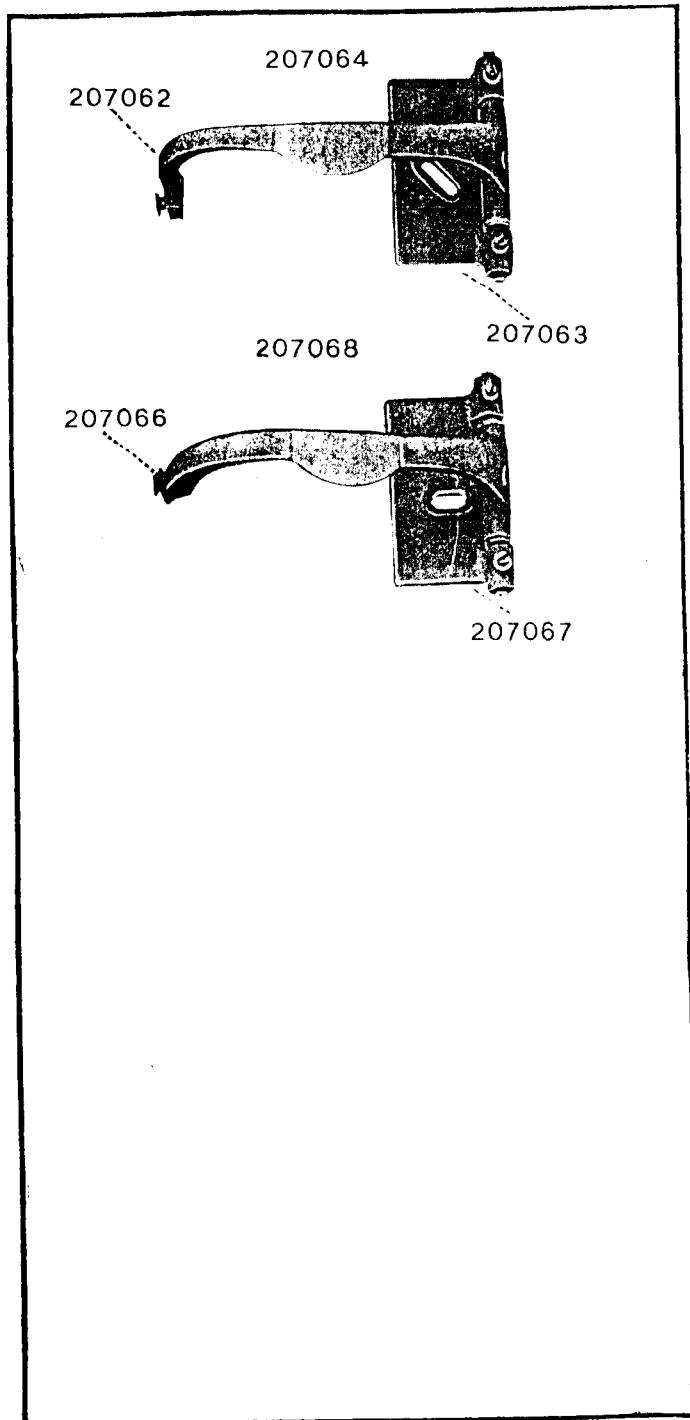
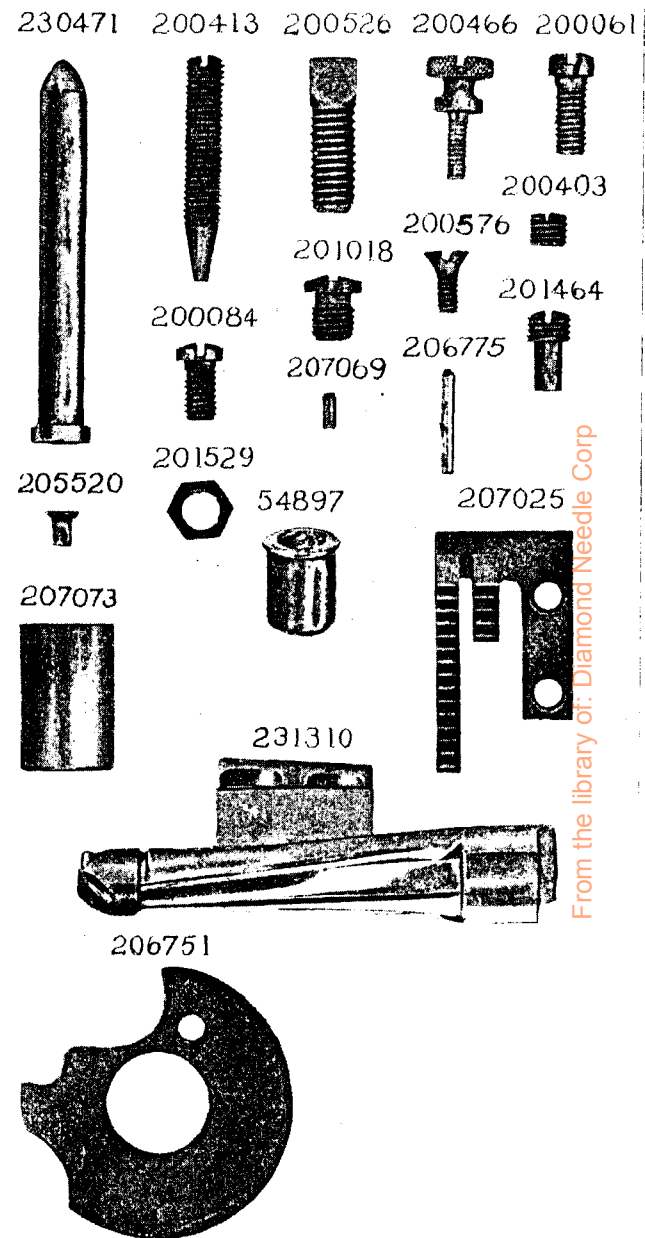


PLATE 10968—FULL SIZE



From the library of: Diamond Needle Corp



PLATE 12345—ONE-HALF SIZE

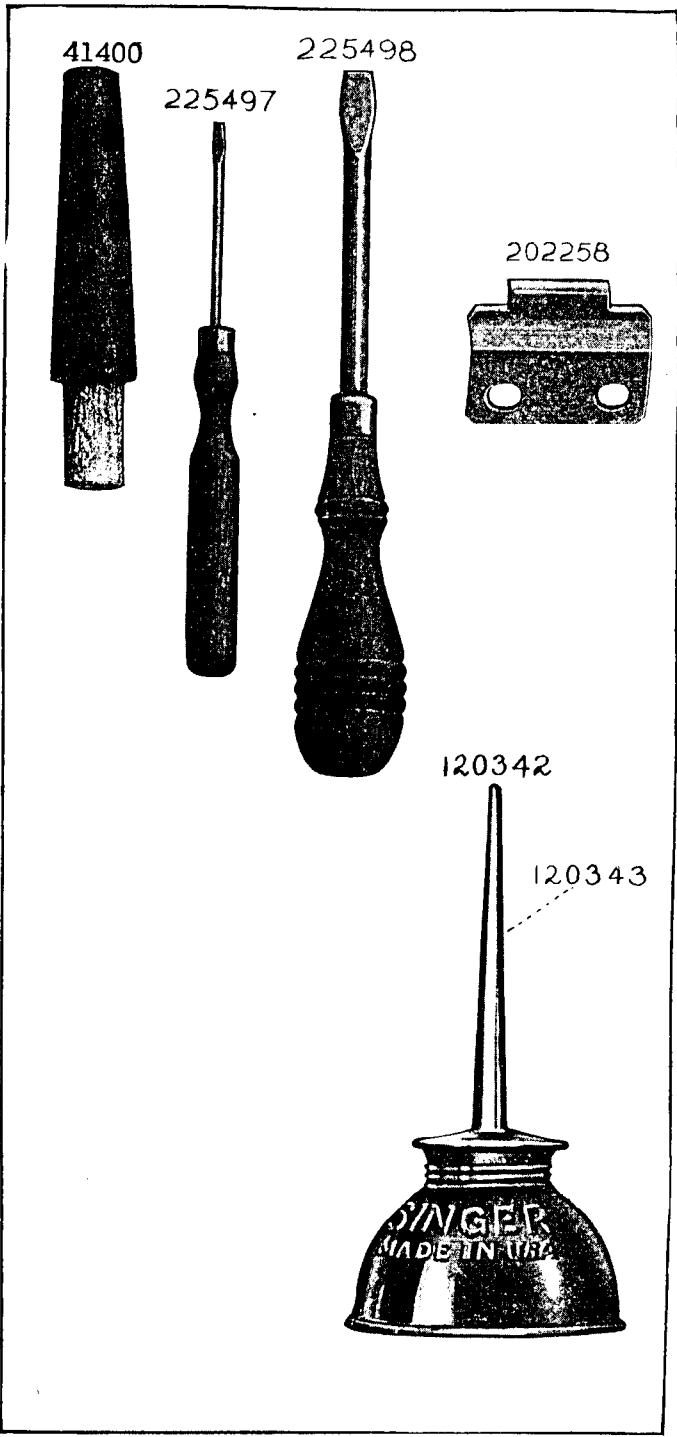


PLATE 13375—FULL SIZE

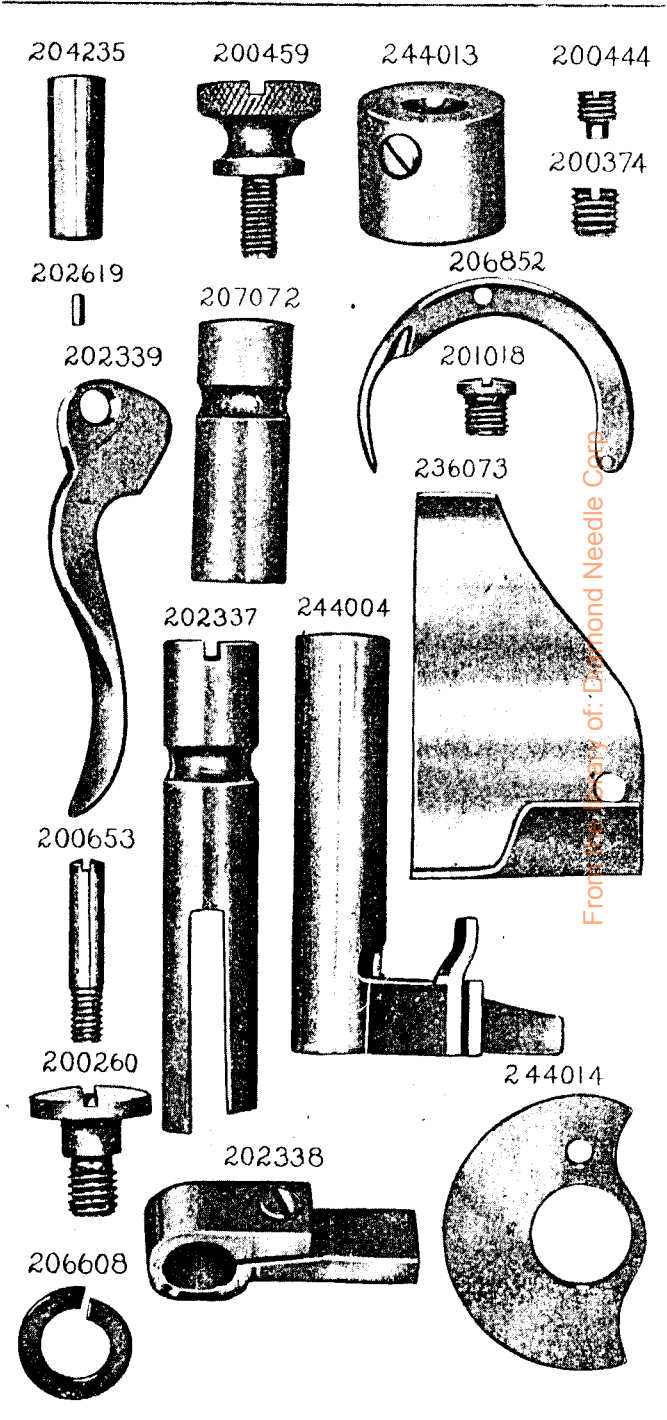


PLATE 13384—FULL SIZE

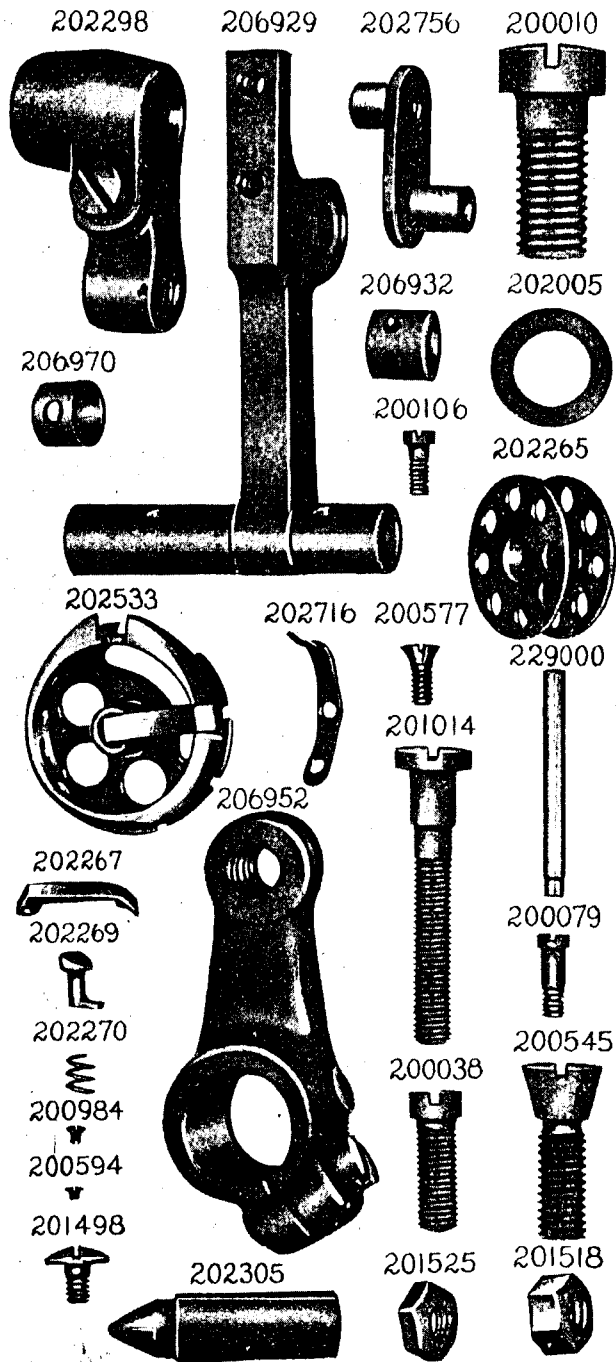


PLATE 13385—ONE-HALF SIZE

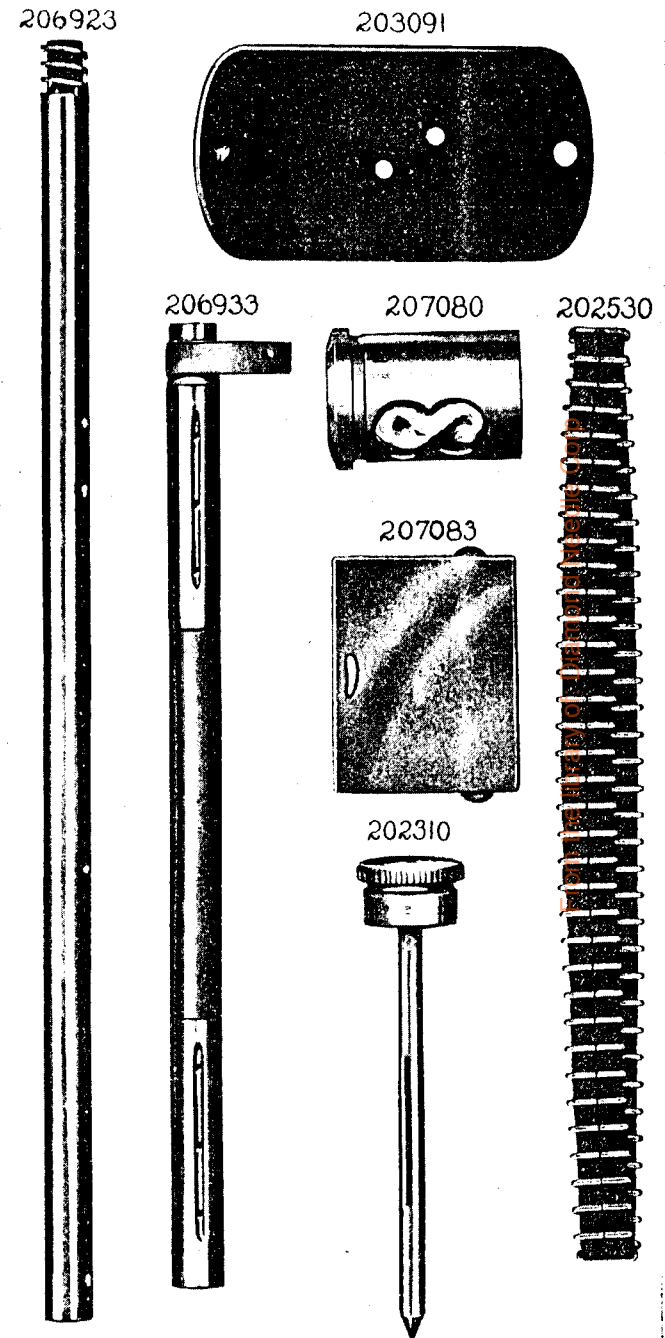
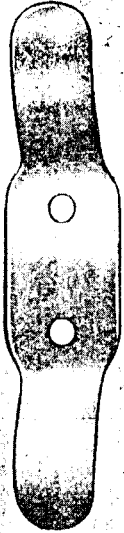


PLATE 13386—FULL SIZE

202115



202550



207006



202397



202534



207013



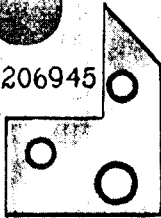
204925



207011



206945



200583



200378



200842



200574



200368



200139



200145



202872



200596



200614

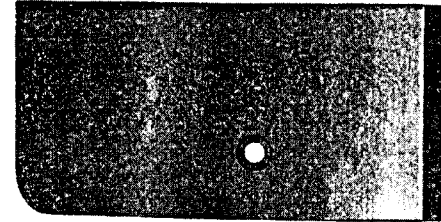


PLATE 13387—ONE-HALF SIZE

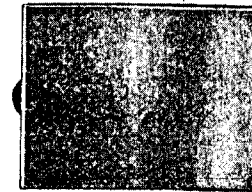
244011



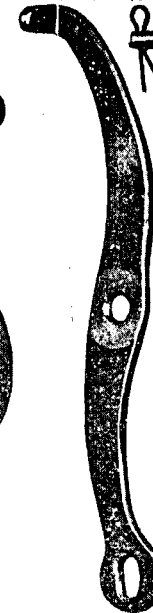
244001



244003



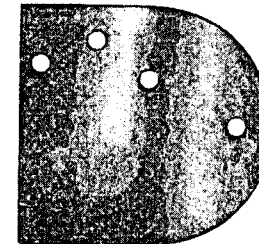
202876



202447



207004



208490



PLATE 13388—FULL SIZE

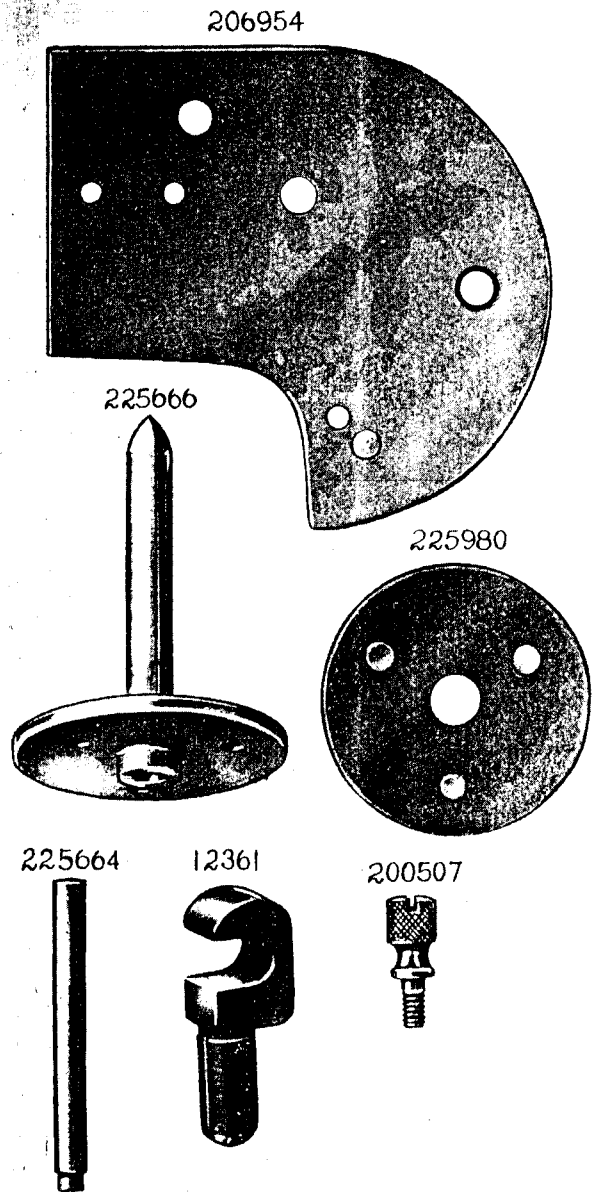
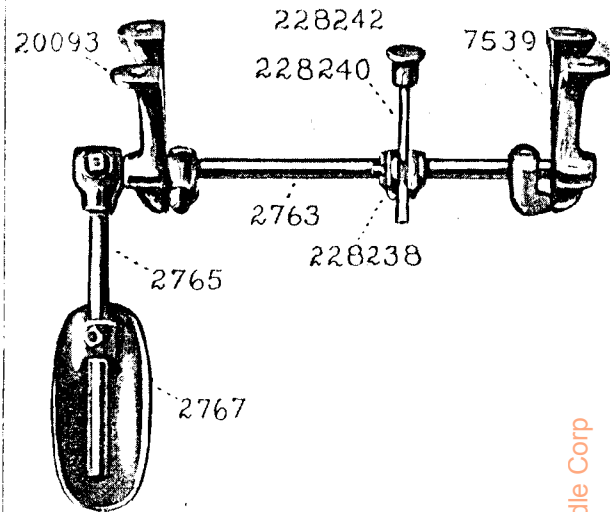
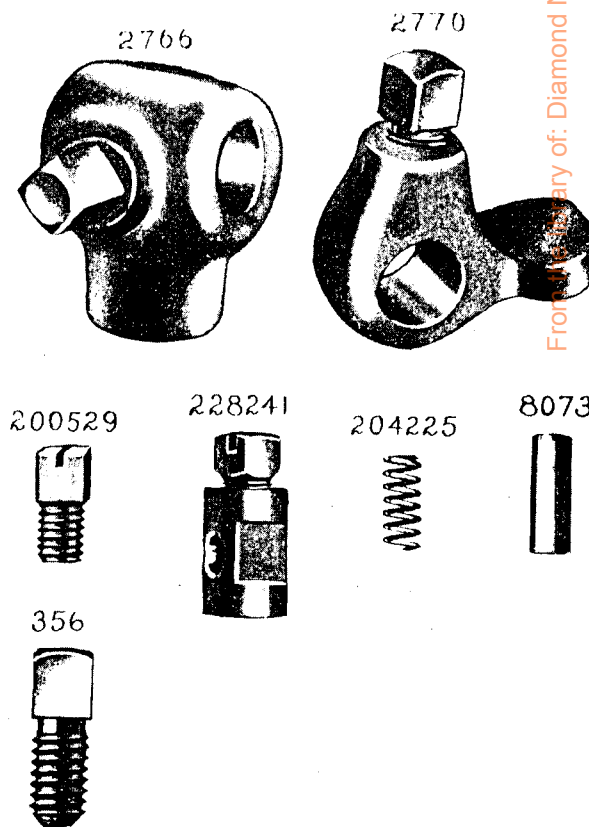


PLATE 14171—ONE-FOURTH SIZE



FULL SIZE



From the Library of: Diamond Needle Corp